



Sintesis air-cooled chillers

**Model RTAF 090 to 450
(300 to 1600 kW – 50 Hz)
Built for Industrial and Commercial Markets**



SINTECIS

RLC-PRC046C-GB

Introduction

The new Trane Sintesis model RTAF chiller is the result of a search for higher reliability, higher energy efficiency, and lower sound levels for today's environment.

In an effort to reduce energy consumed by HVAC equipment and to continually produce chilled water, Trane has developed the Model Sintesis chiller with higher efficiencies and a more reliable design than any other air-cooled chiller available on the market today.

The Sintesis model RTAF chiller uses the proven design of the Trane helical-rotary compressor, which embraces all of the design features that have made the Trane helical-rotary compressor liquid chillers such a success since 1987.

Trane Sintesis model RTAF chillers offers high reliability coupled with greatly improved energy efficiency, and improved acoustical performance, due to its advanced design, low-speed, direct-drive compressor, and proven Sintesis performance.

The major advantages of the Sintesis chiller are:

- 99.5% reliability rate
- Lower sound levels
- Higher energy efficiency at full load & part load.

The Sintesis model RTAF chiller is an industrial-grade design, built for both the industrial and commercial markets. It is ideal for schools, hotels, hospitals, retailers, office buildings, and industrial applications

Sintesis chillers are available in 3 sound levels and 5 efficiencies levels to answer accurately to every customer's needs.

Sound levels

- Standard Noise (SN)
- Low Noise (LN) (with or without Night Noise Setback (NNSB))
- Extra Low Noise (XLN)

Efficiency levels

- Standard Efficiency (SE)
- High Efficiency (HE)
- Extra Efficiency (XE)
- High Seasonal Efficiency (HSE)
- High Seasonal Efficiency Short (HSS)

Figure 1 – Model RTAF



Table of Contents

Introduction	2
Features and Benefits.....	4
Options	9
Operating Map.....	11
Application Considerations	12
General Data	15
Hydraulic module	37
Sound Power Levels.....	38
Controls System	39
TracerTU Interface	40
System Integration.....	41
Electrical Data	43
Dimensional Data	51
Mechanical Specifications	54

Features and Benefits

The Sintesis Helical-Rotary Compressor

- Unequaled-reliability. The Sintesis Trane helical-rotary compressor is designed, built, and tested to the same demanding and rugged standards as the Trane scroll compressors, the centrifugal compressors, and the previous generation helical-rotary compressors used in both air- and water-cooled chillers for more than 27 years.
- Years of research and testing. The Trane helical-rotary compressor has amassed thousands of hours of testing, much of it at severe operating conditions beyond normal commercial air-conditioning applications.
- Proven track record. The Trane Company is the world's largest manufacturer of large helical-rotary compressors used for refrigeration. Over 300,000 compressors worldwide have proven that the Trane helical-rotary compressor has a reliability rate of greater than 99.5% in the first year of operation — unequalled in the industry.
- Resistance to liquid slugging. The robust design of the Series R compressor can ingest amounts of liquid refrigerant that normally would severely damage compressor.
- Fewer moving parts. The helical-rotary compressor has only two rotating parts: the male rotor and the female rotor.

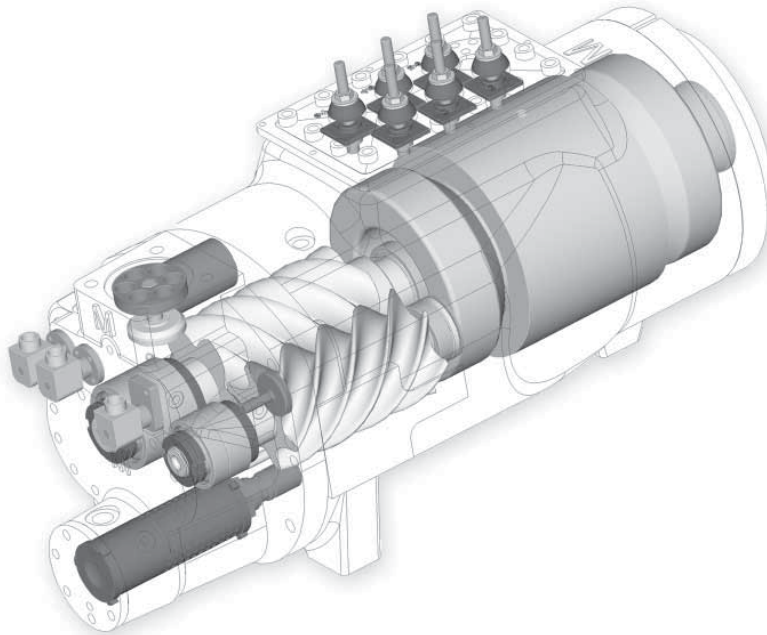
- Direct-drive, low-speed, semi-hermetic compressor for high efficiency and high reliability.
- Field-serviceable compressor for easy maintenance.
- Suction-gas-cooled motor. The motor operates at lower temperatures for longer motor life.
- Five minute start-to-start and two minute stop-to-start anti-recycle timer allows for closer water-loop temperature control.

Capacity Control and Load Matching

The combination patented unloading system on Trane helical-rotary compressors uses the variable unloading valve for the majority of the unloading function. This allows the compressor to modulate infinitely, to exactly match building load and to maintain chilled-water supply temperatures within $\pm 0.3^{\circ}\text{C}$ [$\pm 0.5^{\circ}\text{F}$] of the set point. Helical-rotary chillers that rely on stepped capacity control must run at a capacity equal to or greater than the load, and typically can only maintain water temperature to around $\pm 1^{\circ}\text{C}$ [$\pm 2^{\circ}\text{F}$]. Much of this excess capacity is lost because overcooling goes toward removing building latent heat, causing the building to be dried beyond normal comfort requirements.

On RTAF HSE version, the combination of the variable unloading valve plus the adaptive frequency drive allow to exactly match building load and get excellent efficiencies at full load and part load.

Figure 2 – Cutaway of a compressor



Features and Benefits

Close Spacing Installation

The Sintesis chiller has the tightest recommended side clearance in the industry, 1 meter, but that is not all. In situations where equipment must be installed with less clearance than recommended, which frequently occurs in retrofit applications, restricted airflow is common. Conventional chillers may not work at all. However, the Sintesis chiller with the Adaptive Control™ microprocessor will make as much chilled water as possible given the actual installed conditions, stay on-line during any unforeseen abnormal conditions, and optimize its performance. Consult your sales engineer for more details.

Factory Testing Means Trouble-Free Start-up

All Sintesis chillers are given a complete functional test at the factory. This computer-based test program completely checks the sensors, wiring, electrical components, microprocessor function, communication capability, expansion valve performance, and fans. In addition, each compressor is run-tested to verify capacity and efficiency. Where applicable, each unit is factory preset to the customer's design conditions. An example would be the leaving-liquid temperature set point. The result of this test program is that the chiller arrives at the job site fully tested and ready for operation.

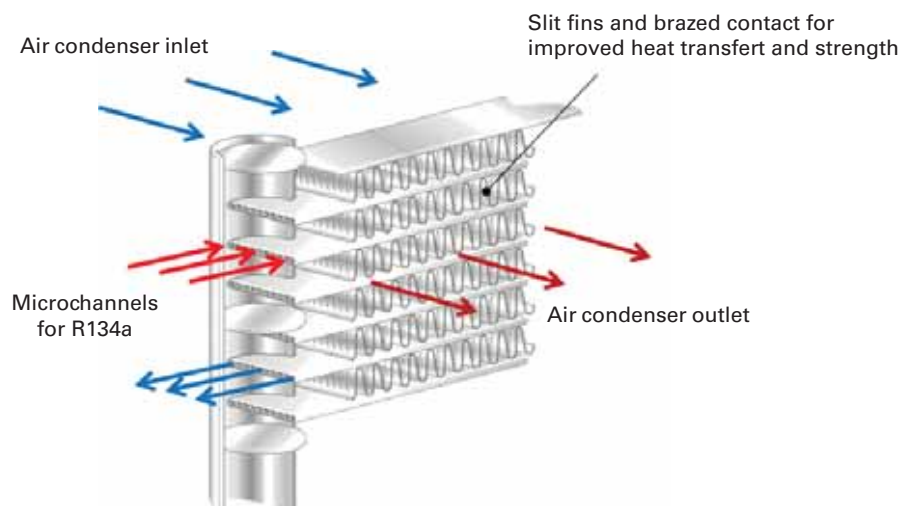
Factory-Installed and Tested Controls and Options Speed Installation

All Sintesis chiller options, including low ambient control, ambient temperature sensor, low ambient lockout, communication interface and ice-making controls are factory installed and tested. Some manufacturers send accessories in pieces to be field installed. With Trane, the customer saves on installation expense and has assurance that ALL chiller controls and options have been tested and will function as expected.

Micro channel condensing coils

Sintesis chillers are equipped with micro channel condensing coils allowing excellent heat transfer and a dramatic improvement of corrosion resistance versus conventional tubes in fins coils. Micro channel coils are 100% aluminum and galvanic corrosion which can occur on condensers made with copper tubes and aluminum fins is avoided. Micro channel coils are also well adapted to dirty environments thanks their small thickness and fins profile.

Figure 3 – Micro channel condensing coils

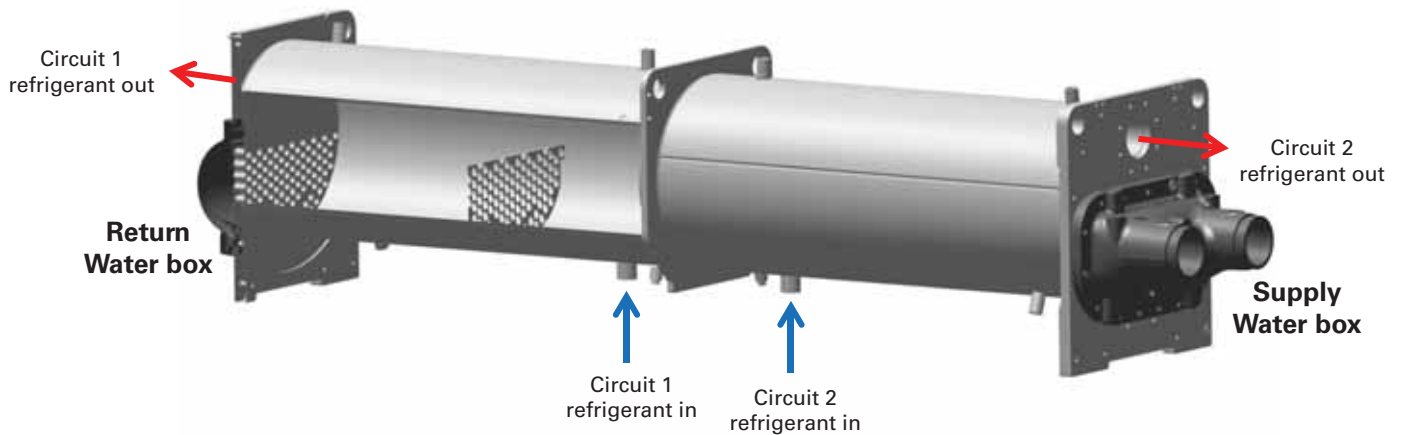


Features and Benefits

CHIL evaporator

Trane developed an evaporator specially designed for Sintesis chillers. Compact - High performance - Integrated design - Low charge (CHIL) evaporator optimizes the flow of the refrigerant to get an excellent heat exchange with water in every operating condition and minimize the quantity of refrigerant used.

Figure 4 – CHIL Evaporator



Fans

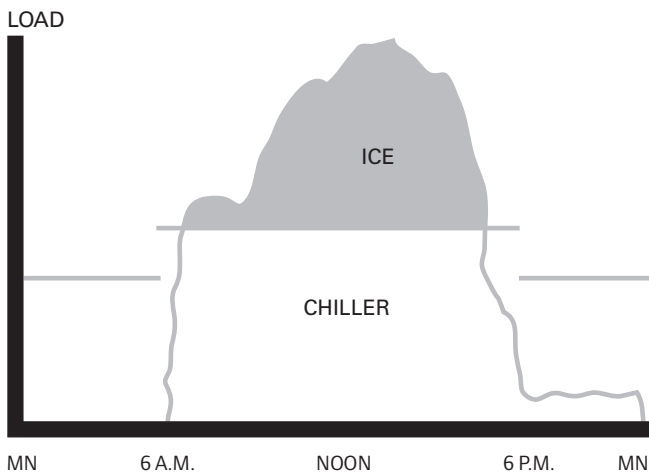
Most of Sintesis chillers use EC fans in order to reduce power consumption at full load and at part load. EC fans allow a significant reduction of sound level and a better operation of the chiller at low ambient conditions. On XLN units EC fans are equipped with a diffuser to get an air flow optimization and a quieter operation.

Figure 5 – EC fan with diffuser



Features and Benefits

Figure 6 – Ice storage demand cost savings



Superior Control with UC 800™ Chiller Controls

The Adaptive Control™ microprocessor system enhances the Sintesis chiller by providing the very latest chiller control technology. With the Adaptive Control microprocessor, unnecessary service calls and unhappy tenants are avoided. The unit does not nuisance-trip or unnecessarily shut down. Only when the Tracer chiller controls have exhausted all possible corrective actions and the unit is still violating an operating limit, will the chiller shut down. Controls on other equipment typically shut down the chiller, usually just when it is needed the most.

For Example:

A typical five-year-old chiller with dirty coils might trip out on high-pressure cutout on a 38°C [100°F] day in August. A hot day is just when comfort cooling is needed the most. In contrast, the Sintesis chiller with an Adaptive Control microprocessor will stage fans on, modulate the electronic expansion valve, and modulate the slide valve as it approaches a high-pressure cutout, thereby keeping the chiller on line when you need it the most, on high ambient temperatures.

System Options:

Ice Storage

Trane air-cooled chillers are well-suited for ice production. The unique ability to operate at decreased ambient temperature while producing ice results in approximately the same amount of work for the compressor. An air-cooled machine typically switches to ice production at night. Two things happen under this assumption. First, the leaving brine temperature from the evaporator is lowered to around -5.5 to -5°C [22 to 24°F]. Second, the ambient temperature has typically dropped about 8.3 to 11°C [47 to 52°F] from the peak daytime ambient. This effectively places a lift on the compressors that is similar to daytime running conditions. The chiller can operate in lower ambient at night and successfully produce ice to supplement the next day's cooling demands.

The Model RTAF produces ice by supplying ice storage tanks with a constant supply of glycol solution.

Air-cooled chillers selected for these lower leaving-fluid temperatures are also selected for efficient production of chilled fluid at nominal comfort-cooling conditions. The ability of Trane chillers to serve "double duty" in ice production and comfort cooling greatly reduces the capital cost of ice-storage systems.

When cooling is required, ice-chilled glycol is pumped from the ice storage tanks directly to the cooling coils. No expensive heat exchanger is required. The glycol loop is a sealed system, eliminating expensive annual chemical treatment costs. The air-cooled chiller is also available for comfort-cooling duty at nominal cooling conditions and efficiencies. The modular concept of glycol ice-storage systems, and the proven simplicity of Trane Tracer™ controls, allows the successful blend of reliability and energy-saving performance in any ice-storage application.

The ice-storage system is operated in six different modes, each optimized for the utility cost at a particular time of day.

1. Provide comfort cooling with chiller
2. Provide comfort cooling with ice
3. Provide comfort cooling with ice and chiller
4. Freeze ice storage
5. Freeze ice storage when comfort cooling is required
6. Off.



Features and Benefits

UC 800 optimization software controls operation of the required equipment and accessories to easily move from one mode of operation to another. For example: even with ice-storage systems, there are numerous hours when ice is neither produced nor consumed, but saved. In this mode, the chiller is the sole source of cooling. For example, to cool the building after all ice is produced but before high electrical demand charges take effect, UC 800 sets the air-cooled chiller leaving fluid set point to its most efficient setting and starts the chiller, chiller pump, and load pump.

When electrical demand is high, the ice pump is started and the chiller is either demand limited or shut down completely. UC 800 controls have the intelligence to optimally balance the contribution of the ice and the chiller in meeting the cooling load. The capacity of the chiller plant is extended by operating the chiller and ice in tandem. UC 800 rations the ice, augmenting chiller capacity while reducing cooling costs. When ice is produced, UC 800 will lower the air-cooled chiller leaving-fluid set point and start the chiller, ice and chiller pumps, and other accessories. Any incidental loads that persist while producing ice can be addressed by starting the load pump and drawing spent cooling fluid from the ice storage tanks.

For specific information on ice storage applications, contact your local sales office.

Application options

Ice making

The ice making option provides special control logic to handle low temperature brine applications (less than 4.4°C [40°F] leaving evaporator temperature) for thermal storage applications.

Low temperature brine

Low temperature option provides special control logic and oil cooler is installed to handle low temperature brine applications including part load conditions below 4.4°C (40°F) leaving evaporator temperature.

Low ambient

The low ambient option adds unit controls to allow start and operation when the unit works with ambient temperatures between -10°C (14°F) and -20°C (-4°F). High side of ambient range remains at 46°C (115°F).

High ambient

The high ambient option adds unit controls, oil coolers and oversized electrical components to allow start and operation up to ambient temperatures of 55°C (131°F) operation. Low side of ambient range remains at -10°C (14°F).

SmartFlow Control

Constant speed pump – Variable frequency drive adjustment

The unit is equipped with a pump package driven by a speed inverter, without providing continuous modulation of the speed. The water flow is fixed during commissioning. The goal of this alternative is to provide the appropriate flow rate and hydraulic balance, without the need for a mechanical balancing valve, and by taking advantage of the energy consumption optimization of the pump.

Water flow is adjusted through parameter 204 of the speed inverter (TR200), when having the dual pump option, the active pump arbitration is based on pump equalization time and pump failure status.

Variable speed pump – Constant differential pressure (DP)

The unit is equipped with a pump package driven by a speed inverter. The modulation of the pump speed is made in order to ensure that the Differential Pressure (DP) remains constant within the system. The minimum pump speed is factory set at 60% of the nominal speed. The minimum pump frequency can be adjusted through inverter. The constant DP option is intended to be used with 2-way water regulation valves in the customer hydraulic system. At minimum system partial load, when most of the 2-way valves are closed, a minimum flow rate must be ensured through the chiller evaporator. DP is measured by a differential pressure sensor supplied by Trane, that the customer must install on the water loop, in a freeze protected area. A regulation valve should be installed on the by-pass line.

Variable speed pump – Constant differential temperature (DT)

The unit will be equipped with a pump package driven by a speed inverter. The modulation of the pump speed is managed to ensure that chiller DT stays constant. Entering and leaving temperatures at the evaporator will be measured directly by the chiller controller, through the factory-supplied sensor. A DT setpoint will be present on the unit controller. The option for constant DT is intended to be used with 3-way valves on water systems, or 2-way valves on water system but constant flow at the by-pass. The minimum pump frequency can be adjusted on the inverter.

Partial Heat Recovery

Heat recovery appears more and more as a sensible response to offset energy costs continually on the rise. The Trane Sinesis chillers with Partial Heat Recovery option combines the energy savings of heat recovery operation with the installation and maintenance cost savings of completely factory packaged air cooled liquid chillers. The RTAD with Heat Recovery option operate as a standard chiller as long as heat is not required or it can simultaneously produce chilled and hot water which can be used for applications like: Heating or preheating of boiler systems or domestic cater, Air conditioning/ventilation air pre-heat, and Industrial processes.

The Heat Recovery Exchanger is a brazed plate exchanger, connected to the compressor discharge line, and sized to recover up to 20% of the nominal cooling capacity.

The Heat Recovery Exchanger is not approved for Food and Beverage applications. The use of a primary loop is mandatory.

The amount of net heat recovery depends on:

- the percentage of cooling load available
- the ambient temperature

Note: Cooling Capacities are not affected by Partial Heat Recovery operations.

Direct Free-cooling

In order to take advantage of the low ambient temperatures, Sinesis chillers propose two alternatives, of direct chilled water cooling:

- Total Free-cooling
- Partial Free-cooling

In both cases, glycol is necessary in all the loops, primary and distribution. The advantages of this type of application are:

- A small footprint compared to a system where a dry cooler and a chiller are used
- One single equipment control
- A wide range of capacities

The Sinesis Series, RTAF Free Cooling are designed for countries that have a significant yearly number of hours below 0 °C and for applications where cooling is needed year round.



Options

Sound level options

Low noise

Low noise units are equipped with a jacket on the oil separators and a pre-formed 'sound box' encapsulating each compressor.

Low noise with NNSB

Night noise set back allow to reduce the sound level of the chiller by reducing the speed of EC fans controlled with an external on/off contact.

Extra low noise

Extra low noise units are equipped with a jacket on the oil separators, a pre-formed 'sound box' encapsulating each compressor and EC fans with diffusers.

Electrical options

Under over voltage protection IP20 internal protection. Flow switch: the flow switch is sent as an accessory and has to be installed on site.

Hydraulic module option*

Hydraulic module includes the following components: water strainer, expansion vessel 80l, pressure relief valve set at 5 bars, twin pump low head allowing a pressure drop in the water circuit up to 120kPa or twin pump high head allowing a pressure drop in the water circuit up to 220kPa, balancing valve and anti-freeze protection.

Control options

BACnet™ communications interface

Allows the user to easily interface with BACnet via a single twisted pair wiring to a factory installed and tested communication board.

LonTalk™ (LCI-C) Communications Interface

Provides the LonMar chiller profile inputs/outputs for use with a generic building automation system via a single twisted pair wiring to a factory installed and tested communication board.

ModBus™ Communications Interface

Allows the user to easily interface with ModBus via a single twisted pair wiring to a factory installed and tested communication board.

External chilled water setpoint

UC800 accepts either a 2-10 VDC or a 4-20mA input signal, to adjust the chilled water setpoint from a remote location.

External current limit setpoint

UC800 accepts either a 2-10VDC or a 4-20mA input signal to adjust the current limit setpoint from a remote location.

Ice making contact

UC800 provides an output contact closure that can be used as a signal to the system that ice building is in operation. This relay will be closed when ice building is in progress and open when ice building has been terminated by either UC800 or the remote interlock. It is used to signal the system changes required to convert to and from ice making.

Run test report

Run test report gives the results of the performance test of the unit in the design conditions specified in the order write up with water without glycol.

The data recorded are: cooling capacity, power input, air temperature, water entering temperature, water leaving temperature and water flow.

* Components may differ depending on unit model and size. Contact your local sales office for details.

Other Options

Relief valves

Dual relief valve plus 3 way valve on high and low pressure side.

High performance insulation

Evaporator is insulated with 2 layers of Armaflex II or equivalent of 19 mm (3/4 inches) thickness and K factor of 0,26 W/m²K.

Evaporator without insulation

Evaporator is not insulated and a specific insulation can be done on site.

Coated condensing coils

Condensing coils are protected with a cathodic epoxy electro deposition coating UV resistant.

Neoprene pads

Neoprene pads avoid a direct contact of the base of the unit with the ground.

Neoprene isolators

Isolators provide isolation between chiller and structure to help eliminate vibration transmission and have an efficiency of 95% minimum.

Grooved pipe plus weld coupling

Grooved pipes are connected on water inlet and outlet, the cooling allows the connection between the grooved pipe and the evaporator water connection.

Export shipping package

Metallic clog are fixed on the base frame of the unit. It prevents direct contact between the chiller and the container while loading and unloading from the container.

Disconnect with circuit breaker

The unit is equipped with a circuit breaker for each circuit and a centralized connecting block for the 3 phases.

Operating Map

To choose the unit configuration, refer to operating map figure below: Standard ambient, High ambient or Low ambient.

* Standard ambient units:

$$-10^{\circ}\text{C} \leq \text{Air temperature} \leq 46^{\circ}\text{C}.$$

* Low ambient units:

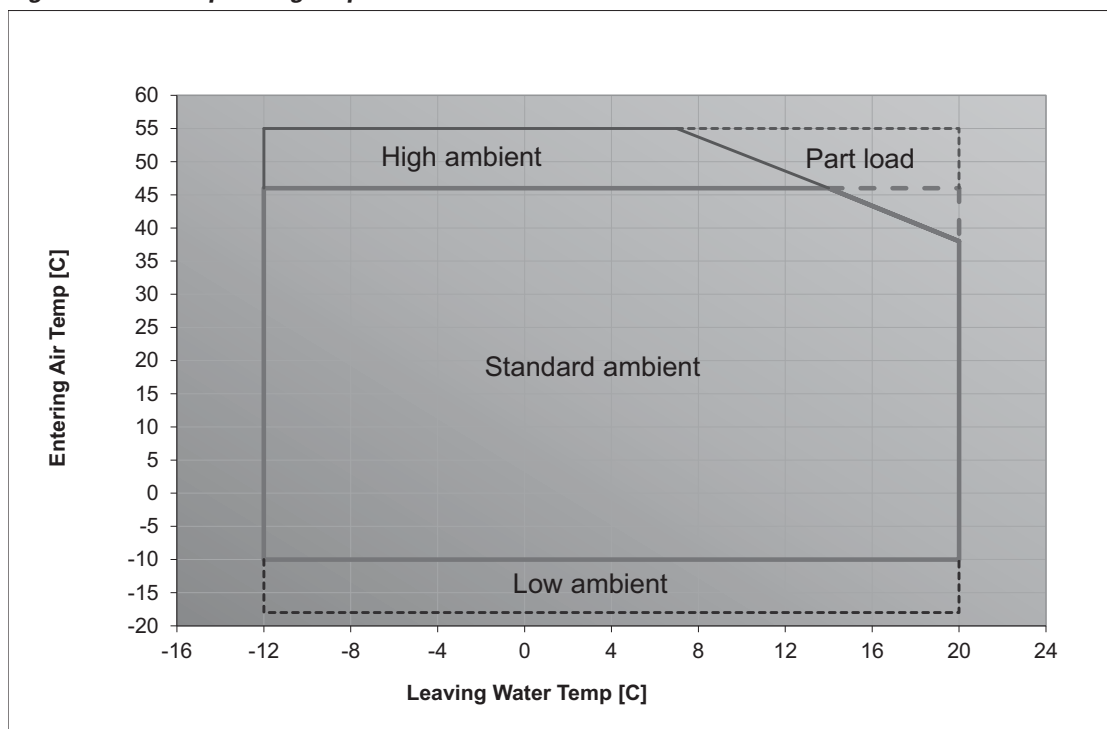
$$-18^{\circ}\text{C} \leq \text{Air temperature} \leq 46^{\circ}\text{C}$$

* High ambient units:

$$-10^{\circ}\text{C} \leq \text{Air temperature} \leq 55^{\circ}\text{C}$$

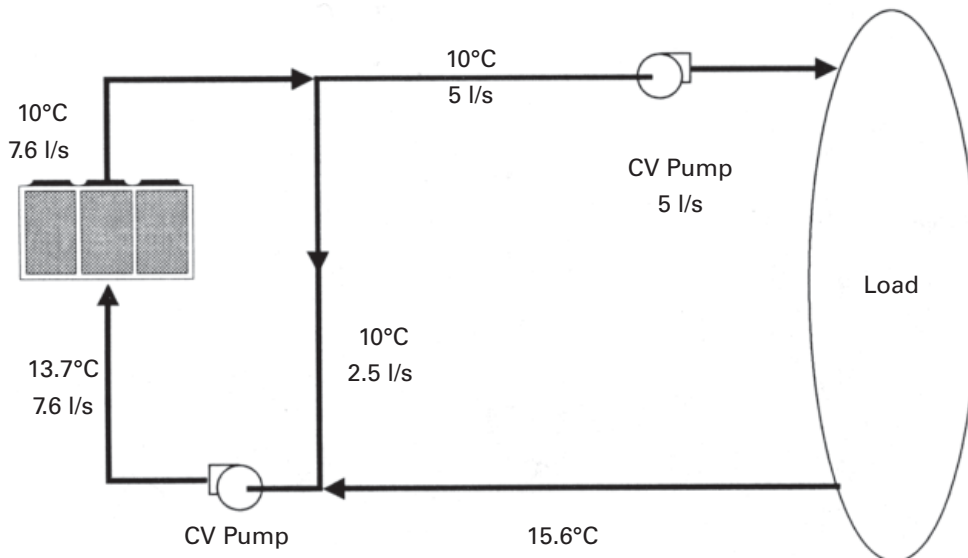
Note: It is not possible to have a unit operate low and high ambient.

Figure 7 – RTAF Operating Map



Application Considerations

Figure 8 – Flow rate Out of Range



Important

Certain application constraints should be considered when sizing, selecting, and installing Trane Sintesis chillers. Unit and system reliability is often dependent on properly and completely complying with these considerations. When the application varies from the guidelines presented, it should be reviewed with your local sales engineer.

Unit Sizing

Unit capacities are listed in the performance data section. Intentionally oversizing a unit to ensure adequate capacity is not recommended. Erratic system operation and excessive compressor cycling are often a direct result of an oversized chiller. In addition, an oversized unit is usually more expensive to purchase, install, and operate. If oversizing is desired, consider using two units.

Water Treatment

Dirt, scale, products of corrosion, and other foreign material will adversely affect heat transfer between the water and system components. Foreign matter in the chilled-water system can also increase pressure drop and, consequently, reduce water flow. Proper water treatment must be determined locally, depending on the type of system and local water characteristics. Neither salt nor brackish water is recommended for use in Trane Sintesis chillers. Use of either will lead to a shortened chiller life. Trane encourages the employment of a reputable water-treatment specialist, familiar with local water conditions, to assist in this determination and in the establishment of a proper water-treatment program.

Effect of Altitude on Capacity

Sintesis chiller capacities given in the performance data tables are for use at sea level. At elevations substantially above sea level, the decreased air density will reduce condenser capacity and, therefore, unit capacity and efficiency.

Ambient Limitations

Trane Sintesis chillers are designed for year-round operation over a range of ambient temperatures. The Sintesis chiller will operate in ambient temperatures of -10 to 46°C [14 to 115°F]. Selecting the high-ambient option will allow the chiller to operate in ambient temperatures of 55°C [131°F], and selecting the low-ambient option will increase the operational capability of the water chiller to ambient temperatures as low as -20°C [-4°F]. For operation outside of these ranges, contact the local sales office.

Water Flow Limits

The minimum water flow rates are given in Tables 1 to 6. Evaporator flow rates below the tabulated values will result in laminar flow and cause freeze-up problems, scaling, stratification, and poor control.

The maximum evaporator water flow rate is also given in the general data section. Flow rates exceeding those listed may result in excessive tube erosion.

Flow Rates Out of Range

Many process cooling jobs require flow rates that cannot be met with the minimum and maximum published values within the Model Sintesis evaporator. A simple piping change can alleviate this problem. For example: a plastic injection molding process requires 5.0 l/s [80 gpm] of 10°C [50°F] water and returns that water at 15.6°C [60°F]. The selected chiller can operate at these temperatures, but has a minimum flow rate of 7.6 l/s [120 gpm]. The following system can satisfy the process.

Application Considerations

Flow Control

Trane requires the chilled water flow control in conjunction with the Sintesis Chiller to be done by the chiller.

This will allow the chiller to protect itself in potentially harmful conditions.

Leaving-Water Temperature Limits

Trane air-cooled Sintesis Series chillers have three distinct leaving-water categories: standard, low temperature, and ice making. The standard leaving-solution temperature range is 4.4 to 18°C [40 to 65°F]. Low-temperature machines produce leaving-liquid temperatures less than 4.4°C [40°F]. Since liquid supply temperature set points less than 4.4°C [40°F] result in suction temperatures at or below the freezing point of water, a glycol solution is required for all low-temperature machines. Ice-making machines have a leaving-liquid temperature range of -12 to 20°C [10.5 to 68°F]. Ice-making controls include dual set point controls and safeties for ice making and comfort cooling capabilities. Consult your local sales engineer for applications or selections involving low temperature or ice making machines. The maximum water temperature that can be circulated through an evaporator when the unit is not operating is 55°C [131°F].

Leaving-Water Temperature

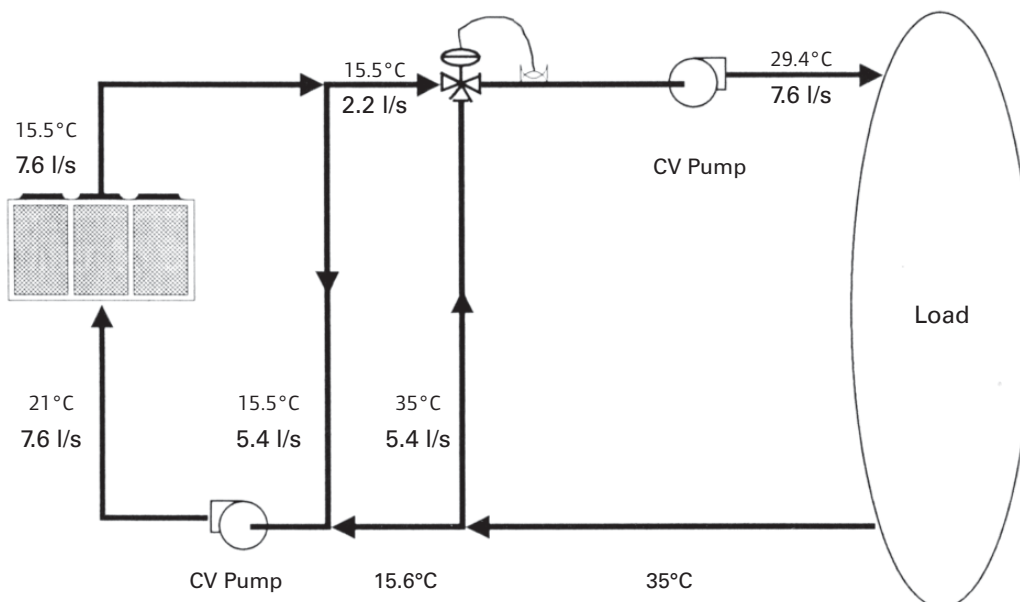
Out of Range

Many process cooling jobs require temperature ranges that cannot be met with the minimum and maximum published values for the RTAF evaporator. A simple piping change can alleviate this problem. For example: a laboratory load requires 7.6 l/s [120 gpm] of water entering the process at 29.4°C [85°F] and returning at 35°C [95°F]. The accuracy required is higher than the cooling tower can give. The selected chiller has adequate capacity, but has a maximum leaving-chilled-water temperature of 18°C [64°F]. In the example shown, both the chiller and process flow rates are equal. This is not necessary. For example, if the chiller had a higher flow rate, there would be more water bypassing and mixing with warm water.

Supply-Water Temperature Drop

The performance data for the Trane Sintesis chiller is based on a chilled-water temperature drop of 6°C [43°F]. Chilled-water temperature drops from 3.3 to 10°C [38 to 50°F] may be used as long as minimum and maximum water temperature, and minimum and maximum flow rates, is not violated. Temperature drops outside this range are beyond the optimum range for control, and may adversely affect the microcomputer's ability to maintain an acceptable supply-water temperature range. Further, temperature drops of less than 3.3°C [38°F] may result in inadequate refrigerant superheat. Sufficient superheat is always a primary concern in any direct-expansion refrigerant system and is especially important in a package chiller where the evaporator is closely coupled to the compressor. When temperature drops are less than 3.3°C [38°F], an evaporator runaround loop may be required.

Figure 9 – Flow rate Out of Range





Application Considerations

Ice Storage Provides

Reduced Electrical Demand an ice-storage system uses a standard chiller to make ice at night, when utilities charge less for electricity. The ice supplements, or even replaces, mechanical cooling during the day, when utility rates are at their highest. This reduced need for cooling results in big utility cost savings.

Another advantage of ice storage is standby cooling capacity. If the chiller is unable to operate, one or two days of ice may still be available to provide cooling. In that period of time, the chiller can be repaired before building occupants feel any loss of comfort.

The Trane Sintesis Model RTAF chiller is uniquely suited to low-temperature applications like ice storage because of the ambient relief experienced at night. This allows the Model Sintesis chiller to produce ice efficiently, with less stress on the machine.

Simple and smart control strategies are another advantage the Model Sintesis chiller offers for ice-storage applications. Trane UC 800 building management systems can actually anticipate how much ice needs to be made at night, and operate the system accordingly. The controls are integrated right into the chiller. Two wires and preprogrammed software dramatically reduce field installation cost and complex programming.

Short Water Loops

The proper location of the temperature control sensor is in the supply (outlet) water connection or pipe.

This location allows the building to act as a buffer and assures a slowly-changing return- water temperature. If there is not a sufficient volume of water in the system to provide an adequate buffer, temperature control can be lost, resulting in erratic system operation and excessive compressor cycling. A short water loop has the same effect as attempting to control using the building return water. Typically, a two-minute water loop is sufficient to prevent a short water loop. Therefore, as a guideline, ensure that the volume of water in the evaporator loop equals or exceeds two times the evaporator flow rate per minute. For a rapidly changing load profile, the amount of volume should be increased. To prevent the effect of a short water loop, the following item should be given careful consideration: a storage tank or larger header pipe to increase the volume of water in the system and, therefore, reduce the rate of change of the return water temperature.

Application Types

- Comfort cooling
- Industrial process cooling
- Ice or thermal storage
- Low-temperature process cooling.

General Data

Table 1 – General Data RTAF 090 – 205 Standard Efficiency - Standard and Low Noise

RTAF Standard Efficiency - Standard and Low Noise		RTAF 090	RTAF 105	RTAF 125	RTAF 145	RTAF 155	RTAF 175	RTAF 190	RTAF 205
Eurovent Performances		SE SN&LN	SE SN&LN	SE SN&LN	SE SN&LN	SE SN&LN	SE SN&LN	SE SN&LN	SE SN&LN
Net Cooling Capacity (3) (4)	(kW)	326	375	440	522	564	615	675	732
Power Input (5)	(kW)	104	121	146	165	184	206	221	244
EER (3) (4) (6)	(kW/kW)	3.14	3.10	3.02	3.16	3.06	2.98	3.05	3.00
ESEER (6)	(kW/kW)	3.86	3.86	3.94	3.91	3.84	3.95	3.92	3.92
Eurovent Efficiency class Cooling		A	B	B	A	B	B	B	B
Sound power level (Standard Noise) (10)	(dBA)	95	95	95	96	96	97	97	97
Sound power level (Low Noise) (10)	(dBA)	92	92	92	93	93	94	94	94
Middle East design condition performances (7)									
Gross cooling capacity	(tons)	77	88	103	124	133	145	160	172
Gross EER	(kW/ton)	1.5	1.5	1.6	1.5	1.5	1.6	1.5	1.6
Compressor									
Quantity	#	2	2	2	2	2	2	2	2
Nominal Size (1)	tons	45/45	50/50	70/50	70/70	85/70	100/70	100/85	100/100
Evaporator									
Evaporator Model		115B	115A	165B	165B	165A	200B	200B	250C
Water Storage	l	51	58	74	74	78	99	99	109
Two pass Evaporator									
Minimum Flow	l/s	8.0	9.4	11.6	11.6	12.4	14.2	14.2	16.2
Maximum Flow	l/s	29.6	34.7	43.1	43.1	46.0	52.6	52.6	60.3
Two pass Evaporator – With Turbulators									
Minimum Flow	l/s	6.6	7.8	9.7	9.7	10.3	11.8	11.8	13.5
Maximum Flow	l/s	26.6	31.2	38.7	38.7	41.3	47.2	47.2	54.1
Condenser									
Quantity of Coils	#	4/4	4/4	4/4	5/5	5/5	6/4	6/6	6/6
Coil Length	mm	1967	1967	1967	1967	1967	1967	1967	1967
Coil Height	mm	1214	1214	1214	1214	1214	1214	1214	1214
Condenser Fans									
Quantity (1)	#	4/4	4/4	4/4	5/5	5/5	6/4	6/6	6/6
Diameter	mm	800	800	800	800	800	800	800	800
Air flow per Fan	m ³ /s	5.6	5.6	5.6	5.6	5.6	5.6	5.6	5.6
Nominal RPM	rpm	932	932	932	932	932	932	932	932
Motor	kW	1.4	1.4	1.4	1.4	1.4	1.4	1.4	1.4
Minimum Starting/Operating Ambient									
Standard Unit	°C	-10	-10	-10	-10	-10	-10	-10	-10
Low-Ambient Unit (Option)	°C	-20	-20	-20	-20	-20	-20	-20	-20
Maximum ambient operation Standard ambient (9)	°C	46	46	46	46	46	46	46	46
Maximum ambient operation High ambient (9)	°C	55	55	55	55	55	55	55	55
General Unit									
Refrigerant		HFC134a	HFC134a	HFC134a	HFC134a	HFC134a	HFC134a	HFC134a	HFC134a
Number of Independent Refrigerant Circuits	#	2	2	2	2	2	2	2	2
Minimum Load (2)	%	15	15	15	15	15	15	15	15
Operating Weight	kg	3295	3315	3495	3990	4260	4405	4880	4995
Shipping Weight	kg	3236	3247	3409	3904	4170	4290	4765	4868

Notes:

1. Data containing information on two circuits shown as follows: ckt1/ckt2
2. Percent minimum load is for total machine at 10°C (50°F) ambient and 7°C (44°F) leaving chilled water temperature, not each individual circuit.
3. Net cooling capacity at Eurovent conditions, 7°C leaving water temperature and 35°C entering condenser air temperature.
4. Ratings based on sea level altitude and evaporator fouling factor 0.017645 m²K/kW
5. Unit kW input, including fans
6. Calculate with cooling capacity
7. At Evaporator water temperature: 6.6°C (44°F) / 12.2°C (54°F) - Condenser air temperature 46°C (114.8°F)
9. Maximum ambient operation is for unit at 12°C / 7°C
10. At Eurovent conditions, with 1pW Reference Sound Power, according to ISO9614

General Data

Table 2 - General Data RTAF 250-410 Standard Efficiency - Standard and Low Noise

		RTAF 250	RTAF 280	RTAF 310	RTAF 350	RTAF 380	RTAF 410
		SE-SN & LN	SE-SN & LN	SE-SN & LN	SE-SN & LN	SE-SN & LN	SE-SN & LN
Eurovent Performances (1)							
Net Cooling Capacity	(kW)	859	972	1074	1194	1322	1446
Total Power input in cooling	(kW)	290	329	376	419	457	497
EER		2.97	2.96	2.86	2.85	2.89	2.91
ESEER		3.91	3.91	3.90	3.99	4.06	4.09
Eurovent Efficiency class Cooling		B	B	C	C	C	B
Sound power level (Standard Noise)	(dBA)	99	100	101	101	101	102
Sound power level (Low Noise)	(dBA)	96	97	98	98	98	99
Middle East design condition performances (2)							
Gross cooling capacity	(kW)	713	808	890	964	1074	1179
Gross power input	(kW)	324	367	419	468	511	555
Gross EER		2.20	2.20	2.12	2.06	2.10	2.12
Compressor							
Quantity	#	3	3	3	4	4	4
Model		85-85/70	85-100/85	100-100/100	85-85/85-85	85-100/85-100	100-100/100-100
Evaporator							
Evaporator model		300D	300B	300A	500D	500C	500B
Evaporator Water Content volume	(l)	97	108	120	146	159	170
Two pass evaporator							
Evap. Water Flow rate - Minimum	(l/s)	17.7	20.1	22.8	25.0	27.8	30.3
Evap. Water Flow rate - Maximum	(l/s)	65.8	74.5	84.8	92.8	103.0	112.5
Two pass with turbulator evaporator							
Evap. Water Flow rate - Minimum	(l/s)	14.8	16.7	19.0	20.8	23.1	25.3
Evap. Water Flow rate - Maximum	(l/s)	59.1	66.9	76.1	83.4	92.5	101.1
Condenser							
Quantity	#	10/4	10/6	10/6	10/8	10/10	12/10
Face area per coil	(m ²)	2.4	2.4	2.4	2.4	2.4	2.4
Condenser Fan							
Quantity	#	10/4	10/6	10/6	10/8	10/10	12/10
Diameter	(mm)	800	800	800	800	800	800
Standard / High ambient fan option							
Fan / motor Type		Propeller fan / Fixed speed - AC motor					
Airflow per Fan	(m ³ /s)	5.6	5.6	5.6	5.6	5.6	5.6
Rated motor RPM	(rpm)	932	932	932	932	932	932
Low ambient fan option							
Fan / motor Type		Propeller fan / Variable speed - EC motor					
Airflow per Fan	(m ³ /s)	5.6	5.6	5.6	5.6	5.6	5.6
Rated motor RPM	(rpm)	910	910	910	910	910	910
Operating limits							
Minimum Starting / Operating Ambient (7)							
Standard ambient unit	(°C)	-10	-10	-10	-10	-10	-10
Low Ambient (Option)	(°C)	-20	-20	-20	-20	-20	-20
Maximum ambient operation Standard ambient (8)	(°C)	46	46	46	46	46	46
Maximum ambient operation High ambient (8)	(°C)	55	55	55	55	55	55
System data							
Nb of refrigerant circuit	#	2	2	2	2	2	2
Minimum cooling load % (6)	%	15	15	15	15	15	15
Shipping Weight(5)	(kg)	6430	6965	6980	8200	8735	9085
Operating Weight(5)	(kg)	6485	7025	7070	8290	8830	9185

Notes:

- (1) At Evaporator water temperature: 12°C / 7°C - Condenser air temperature 35°C according to EN14511:2013
- (2) At Evaporator water temperature: 6.6°C (44°F) / 12.2°C (54°F) - condenser air temperature 46°C (114.8°F) - FFE=1.76*10⁻⁵ m²•°C/W
- (4) Under 400V/3/50Hz
- (5) Rated Condition without Pump Package
- (6) Percent minimum load can be lowered on demand to local sales office
- (7) Minimum start-up/operation ambient based on a 2.22 m/s (5mph) wind across the condenser
- (8) Maximum ambient operation is for unit at 12°C / 7°C
- (10) At Eurovent conditios, with 1pW Reference Sound Power, according ISO9614

Electrical & system data are subject to change without notice. Please refer to unit nameplate data

General Data

Table 3 – General Data RTAF 090 – 205 Standard Efficiency - Extra Low Noise

RTAF Standard Efficiency - Extra Low Noise		RTAF 090	RTAF 105	RTAF 125	RTAF 145	RTAF 155	RTAF 175	RTAF 190	RTAF 205
Eurovent Performances		SE XLN	SE XLN	SE XLN	SE XLN	SE XLN	SE XLN	SE XLN	SE XLN
Net Cooling Capacity (3) (4)	(kW)	326	376	440	522	564	616	676	732
Power Input (5)	(kW)	101	119	143	162	181	203	217	240
EER (3) (4) (6)	(kW/kW)	3.23	3.17	3.08	3.22	3.12	3.03	3.11	3.05
ESEER (6)	(kW/kW)	4.13	4.07	4.06	4.12	4.02	4.08	4.04	4.01
Eurovent Efficiency class Cooling		A	A	B	A	A	B	A	B
Sound power level (Extra Low Noise) (10)	(dBA)	88	89	89	89	90	90	91	91
Middle East design condition performances (7)									
Gross cooling capacity	(tons)	77	88	103	124	133	145	160	172
Gross EER	(kW/ton)	1.5	1.5	1.6	1.5	1.5	1.6	1.5	1.6
Compressor									
Quantity	#	2	2	2	2	2	2	2	2
Nominal Size (1)	tons	45/45	50/50	70/50	70/70	85/70	100/70	100/85	100/100
Evaporator									
Evaporator Model		115B	115A	165B	165B	165A	200B	200B	250C
Water Storage	l	51	58	74	74	78	99	99	109
Two pass Evaporator									
Minimum Flow	l/s	8.0	9.4	11.6	11.6	12.4	14.2	14.2	16.2
Maximum Flow	l/s	29.6	34.7	43.1	43.1	46.0	52.6	52.6	60.3
Two pass Evaporator – With Turbulators									
Minimum Flow	l/s	6.6	7.8	9.7	9.7	10.3	11.8	11.8	13.5
Maximum Flow	l/s	26.6	31.2	38.7	38.7	41.3	47.2	47.2	54.1
Condenser									
Quantity of Coils	#	4/4	4/4	4/4	5/5	5/5	6/4	6/6	6/6
Coil Length	mm	1967	1967	1967	1967	1967	1967	1967	1967
Coil Height	mm	1214	1214	1214	1214	1214	1214	1214	1214
Condenser Fans									
Quantity (1)	#	4/4	4/4	4/4	5/5	5/5	6/4	6/6	6/6
Diameter	mm	800	800	800	800	800	800	800	800
Air flow per Fan	m ³ /s	5.6	5.6	5.6	5.6	5.6	5.6	5.6	5.6
Nominal RPM	rpm	860	860	860	860	860	860	860	860
Motor	kW	1.1	1.1	1.1	1.1	1.1	1.1	1.1	1.1
Minimum Starting/Operating Ambient									
Standard Unit	°C	-10	-10	-10	-10	-10	-10	-10	-10
Low-Ambient Unit (Option)	°C	-20	-20	-20	-20	-20	-20	-20	-20
Maximum ambient operation Standard ambient (9)	°C	46	46	46	46	46	46	46	46
Maximum ambient operation High ambient (9)	°C	55	55	55	55	55	55	55	55
General Unit									
Refrigerant		HFC134a	HFC134a	HFC134a	HFC134a	HFC134a	HFC134a	HFC134a	HFC134a
Number of Independent Refrigerant Circuits	#	2	2	2	2	2	2	2	2
Minimum Load (2)	%	15	15	15	15	15	15	15	15
Operating Weight	kg	3375	3395	3575	4090	4360	4505	5000	5115
Shipping Weight	kg	3316	3327	3489	4004	4270	4390	4885	4988

Notes:

1. Data containing information on two circuits shown as follows: ckt1/ckt2
2. Percent minimum load is for total machine at 10°C (50°F) ambient and 7°C (44°F) leaving chilled water temperature, not each individual circuit.
3. Net cooling capacity at Eurovent conditions, 7°C leaving water temperature and 35°C entering condenser air temperature.
4. Ratings based on sea level altitude and evaporator fouling factor 0.017645 m²K/kW
5. Unit kW input, including fans
6. Calculate with cooling capacity
7. At Evaporator water temperature: 6.6°C (44°F) / 12.2°C (54°F) - Condenser air temperature 46°C (114.8°F)
9. Maximum ambient operation is for unit at 12°C / 7°C
10. At Eurovent conditions, with 1pW Reference Sound Power, according to ISO9614

General Data

Table 4 - General Data RTAF 250-410 Standard Efficiency - Extra Low Noise

		RTAF 250	RTAF 280	RTAF 310	RTAF 350	RTAF 380	RTAF 410
		SE-XLN	SE-XLN	SE-XLN	SE-XLN	SE-XLN	SE-XLN
Eurovent Performances (1)							
Net Cooling Capacity	(kW)	860	973	1075	1195	1324	1447
Total Power input in cooling	(kW)	285	323	370	412	450	490
EER		3.02	3.01	2.90	2.90	2.94	2.95
ESEER		4.26	4.25	4.23	4.36	4.45	4.44
Eurovent Efficiency class Cooling		B	B	B	C	B	B
Sound power level	(dBA)	93	94	94	94	95	95
Middle East design condition performances (2)							
Gross cooling capacity	(kW)	714	809	891	965	1076	1180
Gross power input	(kW)	319	362	414	462	504	548
Gross EER		2.24	2.24	2.15	2.09	2.13	2.15
Compressor							
Quantity	#	3	3	3	4	4	4
Model		85-85/70	85-100/85	100-100/100	85-85/85-85	85-100/85-100	100-100/100-100
Motor RPM	(rpm)	3000	3000	3000	3000	3000	3000
Evaporator							
Evaporator model		300D	300B	300A	500D	500C	500B
Evaporator Water Content volume	(l)	97	108	120	146	159	170
Two pass evaporator							
Evap. Water Flow rate - Minimum	(l/s)	17.7	20.1	22.8	25.0	27.8	30.3
Evap. Water Flow rate - Maximum	(l/s)	65.8	74.5	84.8	92.8	103.0	112.5
Two pass with turbulator evaporator							
Evap. Water Flow rate - Minimum	(l/s)	14.8	16.7	19.0	20.8	23.1	25.3
Evap. Water Flow rate - Maximum	(l/s)	59.1	66.9	76.1	83.4	92.5	101.1
Condenser							
Quantity	#	10/4	10/6	10/6	10/8	10/10	12/10
Face area per coil	(m ²)	2.4	2.4	2.4	2.4	2.4	2.4
Condenser Fan							
Quantity	#	10/4	10/6	10/6	10/8	10/10	12/10
Diameter	(mm)	800	800	800	800	800	800
Standard / High ambient fan option							
Fan / motor Type		Propeller fan / Fixed speed - AC motor					
Airflow per Fan	(m ³ /s)	5.6	5.6	5.6	5.6	5.6	5.6
Power per Motor	(kW)	1.1	1.1	1.1	1.1	1.1	1.1
Rated Amps per Motor	(A)	1.8	1.8	1.8	1.8	1.8	1.8
Rated motor RPM	(rpm)	860	860	860	860	860	860
Operating limits							
Minimum Starting / Operating Ambient (7)							
Standard ambient unit	(°C)	-10	-10	-10	-10	-10	-10
Low Ambient (Option)	(°C)	-20	-20	-20	-20	-20	-20
Maximum ambient operation Standard ambient (8)	(°C)	46	46	46	46	46	46
Maximum ambient operation High ambient (8)	(°C)	55	55	55	55	55	55
System data							
Nb of refrigerant circuit	#	2	2	2	2	2	2
Minimum cooling load % (6)	%	15	15	15	15	15	15
Shipping Weight(5)	(kg)	6570	7125	7140	8380	8935	9305
Operating Weight(5)	(kg)	6625	7185	7230	8470	9030	9405

Notes:

- (1) At Evaporator water temperature: 12°C / 7°C - Condenser air temperature 35°C according to EN14511:2013
- (2) At Evaporator water temperature: 6.6°C (44°F) / 12.2°C (54°F) - condenser air temperature 46°C (114.8°F) - FFE=1.76*10⁻⁵ m²•°C/W
- (4) Under 400V/3/50Hz
- (5) Rated Condition without Pump Package
- (6) Percent minimum load can be lowered on demand to local sales office
- (7) Minimum start-up/operation ambient based on a 2.22 m/s (5mph) wind across the condenser
- (8) Maximum ambient operation is for unit at 12°C / 7°C
- (10) At Eurovent conditios, with 1pW Reference Sound Power, according ISO9614

Electrical & system data are subject to change without notice. Please refer to unit nameplate data

General Data

Table 5 – General Data RTAF 090 – 205 High Efficiency - Standard and Low Noise

RTAF High Efficiency - Standard and Low Noise		RTAF	RTAF	RTAF	RTAF	RTAF	RTAF	RTAF	RTAF
		090	105	125	145	155	175	190	205
Eurovent Performances		HE SN&LN	HE SN&LN	HE SN&LN	HE SN&LN	HE SN&LN	HE SN&LN	HE SN&LN	HE SN&LN
Net Cooling Capacity (3) (4)	(kW)	326	375	440	522	564	615	675	732
Power Input (5)	(kW)	105	121	143	164	181	201	217	239
EER (3) (4) (6)	(kW/kW)	3.14	3.10	3.02	3.16	3.06	2.98	3.05	3.00
ESEER (6)	(kW/kW)	3.86	3.86	3.94	3.91	3.84	3.95	3.92	3.92
Eurovent Efficiency class Cooling		A	B	B	A	B	B	B	B
Sound power level (Standard Noise) (10)	(dBA)	95	95	95	96	96	97	97	97
Sound power level (Low Noise) (10)	(dBA)	92	92	92	93	93	94	94	94
Middle East design condition performances (7)									
Gross cooling capacity	(tons)	79	91	107	127	137	150	164	178
Gross EER	(kW/ton)	1.5	1.5	1.5	1.4	1.5	1.5	1.5	1.5
Compressor									
Quantity	#	2	2	2	2	2	2	2	2
Nominal Size (1)	tons	45/45	50/50	70/50	70/70	85/70	100/70	100/85	100/100
Evaporator									
Evaporator Model		11<5B	115A	165B	165B	165A	200B	200B	250B
Water Storage	l	51	58	74	74	78	99	99	118
Two pass Evaporator									
Minimum Flow	l/s	8.0	9.4	11.6	11.6	12.4	14.2	14.2	17.9
Maximum Flow	l/s	29.6	34.7	43.1	43.1	46.0	52.6	52.6	66.5
Two pass Evaporator – With Turbulators									
Minimum Flow	l/s	6.6	7.8	9.7	9.7	10.3	11.8	11.8	14.9
Maximum Flow	l/s	26.6	31.2	38.7	38.7	41.3	47.2	47.2	59.7
Condenser									
Quantity of Coils	#	5/5	5/5	5/5	6/6	6/6	7/5	7/7	7/7
Coil Length	mm	1967	1967	1967	1967	1967	1967	1967	1967
Coil Height	mm	1214	1214	1214	1214	1214	1214	1214	1214
Condenser Fans									
Quantity (1)	#	5/5	5/5	5/5	6/6	6/6	7/5	7/7	7/7
Diameter	mm	800	800	800	800	800	800	800	800
Air flow per Fan	m ³ /s	5.6	5.6	5.6	5.6	5.6	5.6	5.6	5.6
Nominal RPM	rpm	932	932	932	932	932	932	932	932
Motor	kW	1.4	1.4	1.4	1.4	1.4	1.4	1.4	1.4
Minimum Starting/Operating Ambient									
Standard Unit	°C	-10	-10	-10	-10	-10	-10	-10	-10
Low-Ambient Unit (Option)	°C	-20	-20	-20	-20	-20	-20	-20	-20
Maximum ambient operation Standard ambient (9)	°C	46	46	46	46	46	46	46	46
Maximum ambient operation High ambient (9)	°C	55	55	55	55	55	55	55	55
General Unit									
Refrigerant		HFC134a	HFC134a	HFC134a	HFC134a	HFC134a	HFC134a	HFC134a	HFC134a
Number of Independent Refrigerant Circuits	#	2	2	2	2	2	2	2	2
Minimum Load (2)	%	15	15	15	15	15	15	15	15
Operating Weight	kg	3605	3625	3800	4310	4580	4730	5180	5295
Shipping Weight	kg	3546	3557	3714	4224	4490	4615	5065	5168

Notes:

1. Data containing information on two circuits shown as follows: ckt1/ckt2
2. Percent minimum load is for total machine at 10°C (50°F) ambient and 7°C (44°F) leaving chilled water temperature, not each individual circuit.
3. Net cooling capacity at Eurovent conditions, 7°C leaving water temperature and 35°C entering condenser air temperature.
4. Ratings based on sea level altitude and evaporator fouling factor 0.017645 m²K/kW
5. Unit kW input, including fans
6. Calculate with cooling capacity
7. At Evaporator water temperature: 6.6°C (44°F) / 12.2°C (54°F) - Condenser air temperature 46°C (114.8°F)
9. Maximum ambient operation is for unit at 12°C / 7°C
10. At Eurovent conditions, with 1pW Reference Sound Power, according to ISO9614

General Data

Table 6 - General Data RTAF 250-410 High Efficiency - Standard and Low Noise

		RTAF 250	RTAF 280	RTAF 310	RTAF 350	RTAF 380	RTAF 410
		HE-SN & LN	HE-SN & LN	HE-SN & LN	HE-SN & LN	HE-SN & LN	HE-SN & LN
Eurovent Performances (1)							
Net Cooling Capacity	(kW)	875	992	1113	1238	1362	1469
Total Power input in cooling	(kW)	285	322	361	404	444	489
EER		3.07	3.08	3.08	3.06	3.07	3.00
ESEER		3.94	3.99	3.98	3.98	4.06	4.08
Eurovent Efficiency class Cooling		B	B	B	B	B	B
Sound power level (Standard Noise)	(dBA)	99	100	101	101	102	102
Sound power level (Low Noise)	(dBA)	96	97	98	98	98	99
Middle East design condition performances (2)							
Gross cooling capacity	(kW)	731	829	932	1020	1126	1208
Gross power input	(kW)	318	359	402	452	495	546
Gross EER		2.30	2.31	2.32	2.26	2.27	2.21
Compressor							
Quantity	#	3	3	3	4	4	4
Model		85-85/70	85-100/85	100-100/100	85-85/85-85	85-100/85-100	100-100/100-100
Evaporator							
Evaporator model		300D	300B	300A	500D	500C	500B
Evaporator Water Content volume	(l)	97	108	120	146	159	170
Two pass evaporator							
Evap. Water Flow rate - Minimum	(l/s)	17.7	20.1	22.8	25.0	27.8	30.3
Evap. Water Flow rate - Maximum	(l/s)	65.8	74.5	84.8	92.8	103.0	112.5
Two pass with turbulator evaporator							
Evap. Water Flow rate - Minimum	(l/s)	14.8	16.7	19.0	20.8	23.1	25.3
Evap. Water Flow rate - Maximum	(l/s)	59.1	66.9	76.1	83.4	92.5	101.1
Condenser							
Quantity	#	12/4	12/6	14/6	12/10	12/12	12/12
Face area per coil	(m ²)	2.4	2.4	2.4	2.4	2.4	2.4
Condenser Fan							
Quantity	#	12/4	12/6	14/6	12/10	12/12	12/12
Diameter	(mm)	800	800	800	800	800	800
Standard / High ambient fan option							
Fan / motor Type		Propeller fan / Fixed speed - AC motor					
Airflow per Fan	(m ³ /s)	5.6	5.6	5.6	5.6	5.6	5.6
Power per Motor	(kW)	1.4	1.4	1.4	1.4	1.4	1.4
Rated Amps per Motor	(A)	3.4	3.4	3.4	3.4	3.4	3.4
Rated motor RPM	(rpm)	932	932	932	932	932	932
Dimensions							
Unit Length	(mm)	9390	10135	11260	12385	13510	13510
Unit Width	(mm)	2200	2200	2200	2200	2200	2200
Unit Height	(mm)	2526	2526	2526	2526	2526	2526
Operating limits							
Minimum Starting / Operating Ambient (7)							
Standard ambient unit	(°C)	-10	-10	-10	-10	-10	-10
Low Ambient (Option)	(°C)	-20	-20	-20	-20	-20	-20
Maximum ambient operation Standard ambient (8)	(°C)	46	46	46	46	46	46
Maximum ambient operation High ambient (8)	(°C)	55	55	55	55	55	55
System data							
Nb of refrigerant circuit	#	2	2	2	2	2	2
Minimum cooling load % (6)	%	15	15	15	15	15	15
Shipping Weight(5)	(kg)	6730	7265	7605	9015	9315	9375
Operating Weight(5)	(kg)	6785	7325	7695	9105	9410	9475

Notes:

- (1) At Evaporator water temperature: 12°C / 7°C - Condenser air temperature 35°C according to EN14511:2013
- (2) At Evaporator water temperature: 6.6°C (44°F) / 12.2°C (54°F) - condenser air temperature 46°C (114.8°F) - FFE=1.76*10⁻⁵ m²•°C/W
- (4) Under 400V/3/50Hz
- (5) Rated Condition without Pump Package
- (6) Percent minimum load can be lowered on demand to local sales office
- (7) Minimum start-up/operation ambient based on a 2.22 m/s (5mph) wind across the condenser
- (8) Maximum ambient operation is for unit at 12°C / 7°C

Electrical & system data are subject to change without notice. Please refer to unit nameplate data

General Data

Table 7 – General Data RTAF 090 – 205 Extra Efficiency - Standard and Low Noise

RTAF Extra Efficiency – Standard and Low Noise		RTAF	RTAF	RTAF	RTAF	RTAF	RTAF	RTAF	RTAF
		090	105	125	145	155	175	190	205
Eurovent Performances		XE SN&LN	XE SN&LN	XE SN&LN	XE SN&LN	XE SN&LN	XE SN&LN	XE SN&LN	XE SN&LN
Net Cooling Capacity (3) (4)	(kW)	326	380	447	526	569	633	690	752
Power Input (5)	(kW)	97	116	138	158	177	199	215	236
EER (3) (4) (6)	(kW/kW)	3.35	3.28	3.23	3.32	3.23	3.18	3.21	3.19
ESEER (6)	(kW/kW)	4.26	4.14	4.19	4.27	4.17	4.15	4.11	4.11
Eurovent Efficiency class Cooling		A	A	A	A	A	A	A	A
Sound power level (Standard Noise) (10)	(dBA)	94	94	95	96	97	97	98	98
Sound power level (Low Noise) (10)	(dBA)	91	91	92	93	94	94	95	95
Middle East design condition performances (7)									
Gross cooling capacity	(tons)	77	90	105	125	135	150	164	178
Gross EER	(kW/ton)	1.4	1.4	1.5	1.4	1.5	1.5	1.5	1.5
Compressor									
Quantity	#	2	2	2	2	2	2	2	2
Nominal Size (1)	tons	45/45	50/50	70/50	70/70	85/70	100/70	100/85	100/100
Evaporator									
Evaporator Model		115B	115A	165B	165B	165A	200B	200B	250B
Water Storage	l	51	58	74	74	78	99	99	118
Two pass Evaporator									
Minimum Flow	l/s	8.0	9.4	11.6	11.6	12.4	14.2	14.2	17.9
Maximum Flow	l/s	29.6	34.7	43.1	43.1	46.0	52.6	52.6	66.5
Two pass Evaporator – With Turbulators									
Minimum Flow	l/s	6.6	7.8	9.7	9.7	10.3	11.8	11.8	14.9
Maximum Flow	l/s	26.6	31.2	38.7	38.7	41.3	47.2	47.2	59.7
Condenser									
Quantity of Coils	#	5/5	5/5	5/5	6/6	6/6	7/5	7/7	7/7
Coil Length	mm	1967	1967	1967	1967	1967	1967	1967	1967
Coil Height	mm	1214	1214	1214	1214	1214	1214	1214	1214
Condenser Fans									
Quantity (1)	#	5/5	5/5	5/5	6/6	6/6	7/5	7/7	7/7
Diameter	mm	800	800	800	800	800	800	800	800
Air flow per Fan	m ³ /s	4.2	4.8	4.8	4.8	4.8	5.6	5.6	5.6
Nominal RPM	rpm	710	810	810	810	810	910	910	910
Motor	kW	0.6	0.9	0.9	0.9	0.9	1.3	1.3	1.3
Minimum Starting/Operating Ambient									
Standard Unit	°C	-10	-10	-10	-10	-10	-10	-10	-10
Low-Ambient Unit (Option)	°C	-20	-20	-20	-20	-20	-20	-20	-20
Maximum ambient operation Standard ambient (9)	°C	46	46	46	46	46	46	46	46
Maximum ambient operation High ambient (9)	°C	55	55	55	55	55	55	55	55
General Unit									
Refrigerant		HFC134a	HFC134a	HFC134a	HFC134a	HFC134a	HFC134a	HFC134a	HFC134a
Number of Independent Refrigerant Circuits	#	2	2	2	2	2	2	2	2
Minimum Load (2)	%	15	15	15	15	15	15	15	15
Operating Weight	kg	3605	3625	3800	4310	4580	4730	5180	5295
Shipping Weight	kg	3546	3557	3714	4224	4490	4615	5065	5168

Notes:

1. Data containing information on two circuits shown as follows: ckt1/ckt2
2. Percent minimum load is for total machine at 10°C (50°F) ambient and 7°C (44°F) leaving chilled water temperature, not each individual circuit.
3. Net cooling capacity at Eurovent conditions, 7°C leaving water temperature and 35°C entering condenser air temperature.
4. Ratings based on sea level altitude and evaporator fouling factor 0.017645 m²K/kW
5. Unit kW input, including fans
6. Calculate with cooling capacity
7. At Evaporator water temperature: 6.6°C (44°F) / 12.2°C (54°F) - Condenser air temperature 46°C (114.8°F)
9. Maximum ambient operation is for unit at 12°C / 7°C
10. At Eurovent conditions, with 1pW Reference Sound Power, according to ISO9614

General Data

Table 8 - General Data RTAF 250-410 Extra Efficiency - Standard and Low Noise

		RTAF 250	RTAF 280	RTAF 310	RTAF 350	RTAF 380	RTAF 410
		XE-SN & LN	XE-SN & LN	XE-SN & LN	XE-SN & LN	XE-SN & LN	XE-SN & LN
Eurovent Performances (1)							
Net Cooling Capacity	(kW)	876	993	1114	1238	1364	1471
Total Power input in cooling	(kW)	283	319	359	399	440	486
EER		3.10	3.11	3.11	3.10	3.10	3.03
ESEER		4.29	4.33	4.32	4.43	4.51	4.46
Eurovent Efficiency class Cooling		A	A	A	A	A	B
Sound power level (Standard Noise)	(dBA)	99	100	101	101	102	102
Sound power level (Low Noise)	(dBA)	96	97	98	98	98	99
Middle East design condition performances (2)							
Gross cooling capacity	(kW)	731	830	933	1020	1127	1210
Gross power input	(kW)	315	356	400	446	491	543
Gross EER		2.32	2.33	2.33	2.29	2.29	2.23
Compressor							
Quantity	#	3	3	3	4	4	4
Model		85-85/70	85-100/85	100-100/100	85-85/85-85	85-100/85-100	100-100/100-100
Evaporator							
Evaporator model		300D	300B	300A	500D	500C	500B
Evaporator Water Content volume	(l)	97	108	120	146	159	170
Two pass evaporator							
Evap. Water Flow rate - Minimum	(l/s)	17.7	20.1	22.8	25.0	27.8	30.3
Evap. Water Flow rate - Maximum	(l/s)	65.8	74.5	84.8	92.8	103.0	112.5
Two pass with turbulator evaporator							
Evap. Water Flow rate - Minimum	(l/s)	14.8	16.7	19.0	20.8	23.1	25.3
Evap. Water Flow rate - Maximum	(l/s)	59.1	66.9	76.1	83.4	92.5	101.1
Condenser							
Quantity	#	12/4	12/6	14/6	12/10	12/12	12/12
Face area per coil	(m ²)	2.4	2.4	2.4	2.4	2.4	2.4
Condenser Fan							
Quantity	#	12/4	12/6	14/6	12/10	12/12	12/12
Diameter	(mm)	800	800	800	800	800	800
Standard / High ambient fan option / Low ambient option							
Fan / motor Type		Propeller fan / Variable speed - EC motor					
Airflow per Fan	(m ³ /s)	5.6	5.6	5.6	5.6	5.6	5.6
Power per Motor	(kW)	1.3	1.3	1.3	1.3	1.3	1.3
Rated Amps per Motor	(A)	2.3	2.3	2.3	2.3	2.3	2.3
Rated motor RPM	(rpm)	910	910	910	910	910	910
Operating limits							
Minimum Starting / Operating Ambient (7)							
Standard ambient unit	(°C)	-10	-10	-10	-10	-10	-10
Low Ambient (Option)	(°C)	-20	-20	-20	-20	-20	-20
Maximum ambient operation Standard ambient (8)	(°C)	46	46	46	46	46	46
Maximum ambient operation High ambient (8)	(°C)	55	55	55	55	55	55
System data							
Nb of refrigerant circuit	#	2	2	2	2	2	2
Minimum cooling load % (6)	%	15	15	15	15	15	15
Shipping Weight(5)	(kg)	6730	7265	7605	9015	9315	9375
Operating Weight(5)	(kg)	6785	7325	7695	9105	9410	9475

Notes:

- (1) At Evaporator water temperature: 12°C / 7°C - Condenser air temperature 35°C according to EN14511:2013
- (2) At Evaporator water temperature: 6.6°C (44°F) / 12.2°C (54°F) - condenser air temperature 46°C (114.8°F) - FFE=1.76*10⁻⁵ m²•°C/W
- (4) Under 400V/3/50Hz
- (5) Rated Condition without Pump Package
- (6) Percent minimum load can be lowered on demand to local sales office
- (7) Minimum start-up/operation ambient based on a 2.22 m/s (5mph) wind across the condenser
- (8) Maximum ambient operation is for unit at 12°C / 7°C

Electrical & system data are subject to change without notice. Please refer to unit nameplate data

General Data

Table 9 – General Data RTAF 090 – 205 Extra Efficiency - Extra Low Noise

RTAF Extra Efficiency – Extra Low Noise		RTAF 090	RTAF 105	RTAF 125	RTAF 145	RTAF 155	RTAF 175	RTAF 190	RTAF 205
Eurovent Performances		XE XLN	XE XLN	XE XLN	XE XLN	XE XLN	XE XLN	XE XLN	XE XLN
Net Cooling Capacity (3) (4)	(kW)	326	380	447	526	569	633	689	752
Power Input (5)	(kW)	97	115	138	158	176	197	213	234
EER (3) (4) (6)	(kW/kW)	3.36	3.30	3.24	3.33	3.23	3.20	3.24	3.21
ESEER (6)	(kW/kW)	4.29	4.20	4.21	4.30	4.19	4.19	4.14	4.14
Eurovent Efficiency class Cooling		A	A	A	A	A	A	A	A
Sound power level (Extra Low Noise) (10)	(dBA)	88	88	88	89	90	90	91	91
Middle East design condition performances (7)									
Gross cooling capacity	(tons)	77	90	105	125	135	150	164	178
Gross EER	(kW/ton)	1.4	1.4	1.5	1.4	1.5	1.5	1.4	1.5
Compressor									
Quantity	#	2	2	2	2	2	2	2	2
Nominal Size (1)	tons	45/45	50/50	70/50	70/70	85/70	100/70	100/85	100/100
Evaporator									
Evaporator Model		115B	115A	165B	165B	165A	200B	200B	250B
Water Storage	l	51	58	74	74	78	99	99	118
Two pass Evaporator									
Minimum Flow	l/s	8.0	9.4	11.6	11.6	12.4	14.2	14.2	17.9
Maximum Flow	l/s	29.6	34.7	43.1	43.1	46.0	52.6	52.6	66.5
Two pass Evaporator – With Turbulators									
Minimum Flow	l/s	6.6	7.8	9.7	9.7	10.3	11.8	11.8	14.9
Maximum Flow	l/s	26.6	31.2	38.7	38.7	41.3	47.2	47.2	59.7
Condenser									
Quantity of Coils	#	5/5	5/5	5/5	6/6	6/6	7/5	7/7	7/7
Coil Length	mm	1967	1967	1967	1967	1967	1967	1967	1967
Coil Height	mm	1214	1214	1214	1214	1214	1214	1214	1214
Condenser Fans									
Quantity (1)	#	5/5	5/5	5/5	6/6	6/6	7/5	7/7	7/7
Diameter	mm	800	800	800	800	800	800	800	800
Air flow per Fan	m ³ /s	4.2	4.8	4.8	4.8	4.8	5.6	5.6	5.6
Nominal RPM	rpm	660	760	760	760	760	860	860	860
Motor	kW	0.5	0.8	0.8	0.8	0.8	1.1	1.1	1.1
Minimum Starting/Operating Ambient									
Standard Unit	°C	-10	-10	-10	-10	-10	-10	-10	-10
Low-Ambient Unit (Option)	°C	-20	-20	-20	-20	-20	-20	-20	-20
Maximum ambient operation Standard ambient (9)	°C	46	46	46	46	46	46	46	46
Maximum ambient operation High ambient (9)	°C	55	55	55	55	55	55	55	55
General Unit									
Refrigerant		HFC134a	HFC134a	HFC134a	HFC134a	HFC134a	HFC134a	HFC134a	HFC134a
Number of Independent Refrigerant Circuits	#	2	2	2	2	2	2	2	2
Minimum Load (2)	%	15	15	15	15	15	15	15	15
Operating Weight	kg	3705	3725	3900	4430	4700	4850	5320	5435
Shipping Weight	kg	3646	3657	3814	4344	4610	4735	5205	5308

Notes:

1. Data containing information on two circuits shown as follows: ckt1/ckt2
2. Percent minimum load is for total machine at 10°C (50°F) ambient and 7°C (44°F) leaving chilled water temperature, not each individual circuit.
3. Net cooling capacity at Eurovent conditions, 7°C leaving water temperature and 35°C entering condenser air temperature.
4. Ratings based on sea level altitude and evaporator fouling factor 0.017645 m²K/kW
5. Unit kW input, including fans
6. Calculate with cooling capacity
7. At Evaporator water temperature: 6.6°C (44°F) / 12.2°C (54°F) - Condenser air temperature 46°C (114.8°F)
9. Maximum ambient operation is for unit at 12°C / 7°C
10. At Eurovent conditions, with 1pW Reference Sound Power, according to ISO9614

General Data

Table 10 - General Data RTAF 250-410 Extra Efficiency - Extra Low Noise

		RTAF 250	RTAF 280	RTAF 310	RTAF 350	RTAF 380	RTAF 410
		XE-XLN	XE-XLN	XE-XLN	XE-XLN	XE-XLN	XE-XLN
Eurovent Performances (1)							
Net Cooling Capacity	(kW)	876	993	1114	1237	1363	1470
Total Power input in cooling	(kW)	279	316	355	397	436	481
EER		3.14	3.14	3.14	3.12	3.13	3.05
ESEER		4.36	4.39	4.40	4.46	4.56	4.51
Eurovent Efficiency class Cooling		A	A	A	A	A	B
Sound power level	(dBA)	93	94	95	95	95	95
Middle East design condition performances (2)							
Gross cooling capacity	(kW)	731	829	933	1020	1127	1209
Gross power input	(kW)	312	353	396	444	488	538
Gross EER		2.34	2.35	2.36	2.30	2.31	2.25
Compressor							
Quantity	#	3	3	3	4	4	4
Model		85-85/70	85-100/85	100-100/100	85-85/85-85	85-100/85-100	100-100/100-100
Evaporator							
Evaporator model		300D	300B	300A	500D	500C	500B
Evaporator Water Content volume	(l)	97	108	120	146	159	170
Two pass evaporator							
Evap. Water Flow rate - Minimum	(l/s)	17.7	20.1	22.8	25.0	27.8	30.3
Evap. Water Flow rate - Maximum	(l/s)	65.8	74.5	84.8	92.8	103.0	112.5
Two pass with turbulator evaporator							
Evap. Water Flow rate - Minimum	(l/s)	14.8	16.7	19.0	20.8	23.1	25.3
Evap. Water Flow rate - Maximum	(l/s)	59.1	66.9	76.1	83.4	92.5	101.1
Condenser							
Quantity	#	12/4	12/6	14/6	12/10	12/12	12/12
Face area per coil	(m ²)	2.4	2.4	2.4	2.4	2.4	2.4
Condenser Fan							
Quantity	#	12/4	12/6	14/6	12/10	12/12	12/12
Diameter	(mm)	800	800	800	800	800	800
Standard / High ambient fan option / low ambient fan option							
Fan / motor Type		Propeller fan / Fixed speed - EC motor					
Airflow per Fan	(m ³ /s)	5.6	5.6	5.6	5.6	5.6	5.6
Power per Motor	(kW)	1.1	1.1	1.1	1.1	1.1	1.1
Rated Amps per Motor	(A)	1.8	1.8	1.8	1.8	1.8	1.8
Rated motor RPM	(rpm)	860	860	860	860	860	860
Operating limits							
Minimum Starting / Operating Ambient (7)							
Standard ambient unit	(°C)	-10	-10	-10	-10	-10	-10
Low Ambient (Option)	(°C)	-20	-20	-20	-20	-20	-20
Maximum ambient operation Standard ambient (8)	(°C)	46	46	46	46	46	46
Maximum ambient operation High ambient (8)	(°C)	55	55	55	55	55	55
System data							
Nb of refrigerant circuit	#	2	2	2	2	2	2
Minimum cooling load % (6)	%	15	15	15	15	15	15
Shipping Weight(5)	(kg)	6890	7445	7805	9235	9555	9615
Operating Weight(5)	(kg)	6945	7505	7895	9325	9650	9715

Notes:

- (1) At Evaporator water temperature: 12°C / 7°C - Condenser air temperature 35°C according to EN14511:2013
- (2) At Evaporator water temperature: 6.6°C (44°F) / 12.2°C (54°F) - condenser air temperature 46°C (114.8°F) - FFE=1.76*10⁻⁵ m²•°C/W
- (4) Under 400V/3/50Hz
- (5) Rated Condition without Pump Package
- (6) Percent minimum load can be lowered on demand to local sales office
- (7) Minimum start-up/operation ambient based on a 2.22 m/s (5mph) wind across the condenser
- (8) Maximum ambient operation is for unit at 12°C / 7°C

Electrical & system data are subject to change without notice. Please refer to unit nameplate data

General Data

Table 11 – General Data RTAF 090 – 245 High Seasonal Efficiency - Standard and Low Noise

RTAF High Seasonal Efficiency - Standard and Low Noise		RTAF	RTAF	RTAF	RTAF	RTAF	RTAF	RTAF	RTAF	RTAF	
		090	105	125	145	155	175	190	205	245	
Eurovent Performances		HSE SN&LN		HSE SN&LN		HSE SN&LN		HSE SN&LN		HSE SN&LN	
Net Cooling Capacity (3) (4)	(kW)	330	383	452	534	576	638	695	755	875	
Power Input (5)	(kW)	101	121	145	167	186	208	224	246	307	
EER (3) (4) (6)	(kW/kW)	3.26	3.17	3.11	3.19	3.10	3.07	3.10	3.07	2.85	
ESEER (6)	(kW/kW)	4.42	4.37	4.55	4.71	4.61	4.53	4.53	4.53	4.29	
Eurovent Efficiency class Cooling		A	A	A	A	A	B	A	B	C	
Sound power level (Standard Noise) (10)	(dBA)	94	94	95	96	97	97	98	98	104	
Sound power level (Low Noise) (10)	(dBA)	91	91	92	93	94	94	95	95	101	
Middle East design condition performances (7)											
Gross cooling capacity	(tons)	78	91	107	127	137	152	167	180	878	
Gross EER	(kW/ton)	1.47	1.50	1.54	1.47	1.52	1.54	1.50	1.53	2.89	
Compressor											
Quantity	#	2	2	2	2	2	2	2	2	2	
Nominal Size (1)	tons	45/45	50/50	70/50	70/70	85/70	100/70	100/85	100/100	120/120	
Evaporator											
Evaporator Model		115B	115A	165B	165B	165A	200B	200B	250B	250B	
Water Storage	l	51	58	74	74	78	99	99	118	118	
Two pass Evaporator											
Minimum Flow	l/s	8.0	9.4	11.6	11.6	12.4	14.2	14.2	17.9	17.9	
Maximum Flow	l/s	29.6	34.7	43.1	43.1	46.0	52.6	52.6	66.5	66.5	
Two pass Evaporator – With Turbulators											
Minimum Flow	l/s	6.6	7.8	9.7	9.7	10.3	11.8	11.8	14.9	14.9	
Maximum Flow	l/s	26.6	31.2	38.7	38.7	41.3	47.2	47.2	59.7	59.7	
Condenser											
Quantity of Coils	#	5/5	5/5	5/5	6/6	6/6	7/5	7/7	7/7	7/7	
Coil Length	mm	1967	1967	1967	1967	1967	1967	1967	1967	1967	
Coil Height	mm	1214	1214	1214	1214	1214	1214	1214	1214	1214	
Condenser Fans											
Quantity (1)	#	5/5	5/5	5/5	6/6	6/6	7/5	7/7	7/7	7/7	
Diameter	mm	800	800	800	800	800	800	800	800	800	
Air flow per Fan	m ³ /s	4.2	4.8	4.8	4.8	4.8	5.6	5.6	5.6	5.6	
Nominal RPM	rpm	710	810	810	810	810	910	910	910	910	
Motor	kW	0.6	0.9	0.9	0.9	0.9	1.3	1.3	1.3	1.3	
Minimum Starting/Operating Ambient											
Standard Unit	°C	-10	-10	-10	-10	-10	-10	-10	-10	-10	
Low-Ambient Unit (Option)	°C	-20	-20	-20	-20	-20	-20	-20	-20	-20	
Maximum ambient operation Standard ambient (9)	°C	46	46	46	46	46	46	46	46	46	
Maximum ambient operation High ambient (9)	°C	55	55	55	55	55	55	55	55	55	
General Unit											
Refrigerant		HFC134a	HFC134a	HFC134a	HFC134a	HFC134a	HFC134a	HFC134a	HFC134a	HFC134a	
Number of Independent Refrigerant Circuits	#	2	2	2	2	2	2	2	2	2	
Minimum Load (2)	%	15	15	15	15	15	15	15	15	30	
Operating Weight	kg	3705	3765	3945	4450	4760	4915	5405	5520	5520	
Shipping Weight	kg	3646	3697	3859	4364	4670	4800	5290	5393	5393	

Notes:

1. Data containing information on two circuits shown as follows: ckt1/ckt2
2. Percent minimum load is for total machine at 10°C (50°F) ambient and 7°C (44°F) leaving chilled water temperature, not each individual circuit.
3. Net cooling capacity at Eurovent conditions, 7°C leaving water temperature and 35°C entering condenser air temperature.
4. Ratings based on sea level altitude and evaporator fouling factor 0.017645 m²K/kW
5. Unit kW input, including fans
6. Calculate with cooling capacity
7. At Evaporator water temperature: 6.6°C (44°F) / 12.2°C (54°F) - Condenser air temperature 46°C (114.8°F)
9. Maximum ambient operation is for unit at 12°C / 7°C
10. At Eurovent conditions, with 1pW Reference Sound Power, according to ISO9614

General Data

Table 12 - General Data RTAF 250-450 High Seasonal Efficiency - Standard and Low Noise

		RTAF 250	RTAF 280	RTAF 310	RTAF 350	RTAF 380	RTAF 410	RTAF 450
		HSE-SN&LN	HSE-SN&LN	HSE-SN&LN	HSE-SN&LN	HSE-SN&LN	HSE-SN&LN	HSE-SN&LN
Eurovent Performances (1)								
Net Cooling Capacity	(kW)	882	999	1118	1243	1369	1473	1586
Total Power input in cooling	(kW)	291	328	368	410	450	496	558
EER		3.03	3.04	3.04	3.03	3.04	2.97	2.84
ESEER		4.40	4.43	4.46	4.59	4.62	4.56	4.41
Eurovent Efficiency class Cooling		B	B	B	B	B	B	C
Sound power level (Standard Noise)	(dBA)	99	100	101	101	102	102	107
Sound power level (Low Noise)	(dBA)	97	98	99	99	99	100	105
Middle East design condition performances (2)								
Gross cooling capacity	(kW)	727	826	925	1024	1131	1210	1298
Gross power input	(kW)	326	367	411	459	503	554	621
Gross EER		2.23	2.25	2.25	2.23	2.25	2.18	2.09
Compressor								
Quantity	#	3	3	3	4	4	4	4
Model		85-85/70	85-100/85	100-100/100	85-85/85-85	85-100/85-100	100-100/100-100	120-100/120-100
Evaporator								
Evaporator model		300D	300B	300A	500D	500C	500B	500B
Evaporator Water Content volume	(l)	97	108	120	146	159	170	170
Two pass evaporator								
Evap. Water Flow rate - Minimum	(l/s)	17.7	20.1	22.8	25.0	27.8	30.3	30.3
Evap. Water Flow rate - Maximum	(l/s)	65.8	74.5	84.8	92.8	103.0	112.5	112.5
Two pass with turbulator evaporator								
Evap. Water Flow rate - Minimum	(l/s)	14.8	16.7	19.0	20.8	23.1	25.3	25.3
Evap. Water Flow rate - Maximum	(l/s)	59.1	66.9	76.1	83.4	92.5	101.1	101.1
Condenser								
Quantity	#	12/4	12/6	14/6	12/10	12/12	12/12	12/12
Face area per coil	(m ²)	2.4	2.4	2.4	2.4	2.4	2.4	2.4
Condenser Fan								
Quantity	#	12/4	12/6	14/6	12/10	12/12	12/12	12/12
Diameter	(mm)	800	800	800	800	800	800	800
Standard / High ambient fan option / Low ambient fan option								
Fan / motor Type		Propeller fan / Variable speed - EC motor						
Airflow per Fan	(m ³ /s)	5.6	5.6	5.6	5.6	5.6	5.6	5.6
Power per Motor	(kW)	1.3	1.3	1.3	1.3	1.3	1.3	1.3
Rated Amps per Motor	(A)	2.3	2.3	2.3	2.3	2.3	2.3	2.3
Rated motor RPM	(rpm)	910	910	910	910	910	910	910
Operating limits								
Minimum Starting / Operating Ambient (7)								
Standard ambient unit	(°C)	-10	-10	-10	-10	-10	-10	-10
Low Ambient (Option)	(°C)	-20	-20	-20	-20	-20	-20	-20
Maximum ambient operation Standard ambient (8)	(°C)	46	46	46	46	46	46	46
Maximum ambient operation High ambient (8)	(°C)	55	55	55	55	55	55	46
System data								
Nb of refrigerant circuit	#	2	2	2	2	2	2	2
Minimum cooling load % (6)	%	10	10	10	10	10	10	10
Shipping Weight(5)	(kg)	6970	7515	7855	9255	9555	9615	9615
Operating Weight(5)	(kg)	7005	7575	7945	9345	9650	9715	9715

Notes:

- (1) At Evaporator water temperature: 12°C / 7°C - Condenser air temperature 35°C according to EN14511:2013
- (2) At Evaporator water temperature: 6.6°C (44°F) / 12.2°C (54°F) - condenser air temperature 46°C (114.8°F) - FFE=1.76*10⁻⁵ m²•°C/W
- (4) Under 400V/3/50Hz
- (5) Rated Condition without Pump Package
- (6) Percent minimum load can be lowered on demand to local sales office
- (7) Minimum start-up/operation ambient based on a 2.22 m/s (5mph) wind across the condenser
- (8) Maximum ambient operation is for unit at 12°C / 7°C

Electrical & system data are subject to change without notice. Please refer to unit nameplate data

General Data

Table 13 – General Data RTAF 090 – 245 High Seasonal Efficiency - Extra Low Noise

RTAF High Seasonal Efficiency - Extra Low Noise		RTAF	RTAF	RTAF	RTAF	RTAF	RTAF	RTAF	RTAF	RTAF
		090	105	125	145	155	175	190	205	245
Eurovent Performances		HSE XLN	HSE XLN	HSE XLN	HSE XLN	HSE XLN	HSE XLN	HSE XLN	HSE XLN	HSE-XLN
Net Cooling Capacity (3) (4)	(kW)	330	383	451	533	575	638	694	755	875
Power Input (5)	(kW)	100	119	144	165	184	206	221	243	304
EER (3) (4) (6)	(kW/kW)	3.29	3.21	3.13	3.22	3.12	3.10	3.14	3.11	2.88
ESEER (6)	(kW/kW)	4.46	4.43	4.62	4.77	4.68	4.62	4.62	4.61	4.36
Eurovent Efficiency class Cooling		A	A	A	A	A	A	A	A	C
Sound power level (Extra Low Noise) (10)	(dBA)	88	88	88	89	90	90	91	91	97
Middle East design condition performances (7)										
Gross cooling capacity	(tons)	78	91	107	127	135	151	166	180	717
Gross EER	(kW/ton)	1.46	1.48	1.53	1.47	1.54	1.54	1.49	1.52	2.13
Compressor										
Quantity	#	2	2	2	2	2	2	2	2	2
Nominal Size (1)	tons	45/45	50/50	70/50	70/70	85/70	100/70	100/85	100/100	120/120
Evaporator										
Evaporator Model		115B	115A	165B	165B	165A	200B	200B	250B	250B
Water Storage	l	51	58	74	74	78	99	99	118	118
Two pass Evaporator										
Minimum Flow	l/s	8.0	9.4	11.6	11.6	12.4	14.2	14.2	17.9	17.9
Maximum Flow	l/s	29.6	34.7	43.1	43.1	46.0	52.6	52.6	66.5	66.5
Two pass Evaporator – With Turbulators										
Minimum Flow	l/s	6.6	7.8	9.7	9.7	10.3	11.8	11.8	14.9	14.9
Maximum Flow	l/s	26.6	31.2	38.7	38.7	41.3	47.2	47.2	59.7	59.7
Condenser										
Quantity of Coils	#	5/5	5/5	5/5	6/6	6/6	7/5	7/7	7/7	7/7
Coil Length	mm	1967	1967	1967	1967	1967	1967	1967	1967	1967
Coil Height	mm	1214	1214	1214	1214	1214	1214	1214	1214	1214
Condenser Fans										
Quantity (1)	#	5/5	5/5	5/5	6/6	6/6	7/5	7/7	7/7	7/7
Diameter	mm	800	800	800	800	800	800	800	800	800
Air flow per Fan	m ³ /s	4.2	4.8	4.8	4.8	4.8	5.6	5.6	5.6	5.6
Nominal RPM	rpm	660	760	760	760	760	860	860	860	860
Motor	kW	0.5	0.8	0.8	0.8	0.8	1.1	1.1	1.1	1.1
Minimum Starting/Operating Ambient										
Standard Unit	°C	-10	-10	-10	-10	-10	-10	-10	-10	-10
Low-Ambient Unit (Option)	°C	-20	-20	-20	-20	-20	-20	-20	-20	-20
Maximum ambient operation Standard ambient (9)	°C	46	46	46	46	46	46	46	46	46
Maximum ambient operation High ambient (9)	°C	55	55	55	55	55	55	55	55	55
General Unit										
Refrigerant		HFC134a	HFC134a	HFC134a	HFC134a	HFC134a	HFC134a	HFC134a	HFC134a	HFC134a
Number of Independent Refrigerant Circuits	#	2	2	2	2	2	2	2	2	2
Minimum Load (2)	%	15	15	15	15	15	15	15	15	30
Operating Weight	kg	3805	3865	4045	4570	4880	5035	5545	5660	5660
Shipping Weight	kg	3746	3797	3959	4484	4790	4920	5430	5533	5533

Notes:

1. Data containing information on two circuits shown as follows: ckt1/ckt2
2. Percent minimum load is for total machine at 10°C (50°F) ambient and 7°C (44°F) leaving chilled water temperature, not each individual circuit.
3. Net cooling capacity at Eurovent conditions, 7°C leaving water temperature and 35°C entering condenser air temperature.
4. Ratings based on sea level altitude and evaporator fouling factor 0.017645 m²K/kW
5. Unit kW input, including fans
6. Calculate with cooling capacity
7. At Evaporator water temperature: 6.6°C (44°F) / 12.2°C (54°F) - Condenser air temperature 46°C (114.8°F)
9. Maximum ambient operation is for unit at 12°C / 7°C
10. At Eurovent conditions, with 1pW Reference Sound Power, according to ISO9614



General Data

Table 14 - General Data RTAF 250-450 High Seasonal Efficiency - Extra Low Noise

		RTAF 250	RTAF 280	RTAF 310	RTAF 350	RTAF 380	RTAF 410	RTAF 450
		HSE-XLN	HSE-XLN	HSE-XLN	HSE-XLN	HSE-XLN	HSE-XLN	HSE-XLN
Eurovent Performances (1)								
Net Cooling Capacity	(kW)	882	999	1117	1243	1369	1472	1585
Total Power input in cooling	(kW)	288	324	364	406	445	491	554
EER		3.06	3.08	3.07	3.06	3.08	3.00	2.86
ESEER		4.51	4.51	4.53	4.66	4.69	4.63	4.51
Eurovent Efficiency class Cooling		B	B	B	B	B	B	C
Sound power level	(dBA)	93	94	95	95	95	95	103
Middle East design condition performances (2)								
Gross cooling capacity	(kW)	727	826	925	1023	1130	1210	1298
Gross power input	(kW)	323	363	407	455	498	550	617
Gross EER		2.25	2.27	2.27	2.25	2.27	2.20	2.10
Compressor								
Quantity	#	3	3	3	4	4	4	4
Model		85-85/70	85-100/85	100-100/100	85-85/85-85	85-100/85-100	100-100/100-100	120-100/120-100
Evaporator								
Evaporator model		300D	300B	300A	500D	500C	500B	500B
Evaporator Water Content volume	(l)	97	108	120	146	159	170	170
Two pass evaporator								
Evap. Water Flow rate - Minimum	(l/s)	17.7	20.1	22.8	25.0	27.8	30.3	30.3
Evap. Water Flow rate - Maximum	(l/s)	65.8	74.5	84.8	92.8	103.0	112.5	112.5
Two pass with turbulator evaporator								
Evap. Water Flow rate - Minimum	(l/s)	14.8	16.7	19.0	20.8	23.1	25.3	25.3
Evap. Water Flow rate - Maximum	(l/s)	59.1	66.9	76.1	83.4	92.5	101.1	101.1
Condenser								
Quantity	#	12/4	12/6	14/6	12/10	12/12	12/12	12/12
Face area per coil	(m ²)	2.4	2.4	2.4	2.4	2.4	2.4	2.4
Condenser Fan								
Quantity	#	12/4	12/6	14/6	12/10	12/12	12/12	12/12
Diameter	(mm)	800	800	800	800	800	800	800
Standard / High ambient fan option / Low ambient fan option								
Fan / motor Type		Propeller fan / Variable speed - EC motor						
Airflow per Fan	(m ³ /s)	5.6	5.6	5.6	5.6	5.6	5.6	5.6
Power per Motor	(kW)	1.1	1.1	1.1	1.1	1.1	1.1	1.1
Rated Amps per Motor	(A)	1.8	1.8	1.8	1.8	1.8	1.8	1.8
Rated motor RPM	(rpm)	860	860	860	860	860	860	860
Operating limits								
Minimum Starting / Operating Ambient (7)								
Standard ambient unit	(°C)	-10	-10	-10	-10	-10	-10	-10
Low Ambient (Option)	(°C)	-20	-20	-20	-20	-20	-20	-20
Maximum ambient operation Standard ambient (8)	(°C)	46	46	46	46	46	46	46
Maximum ambient operation High ambient (8)	(°C)	55	55	55	55	55	55	46
System data								
Nb of refrigerant circuit	#	2	2	2	2	2	2	2
Minimum cooling load % (6)	%	10	10	10	10	10	10	10
Shipping Weight(5)	(kg)	7110	7695	8055	9475	9795	9855	9855
Operating Weight(5)	(kg)	7165	7755	8145	9565	9890	9955	9955

Notes:

- (1) At Evaporator water temperature: 12°C / 7°C - Condenser air temperature 35°C according to EN14511:2013
- (2) At Evaporator water temperature: 6.6°C (44°F) / 12.2°C (54°F) - condenser air temperature 46°C (114.8°F) - FFE=1.76*10⁻⁵ m²•°C/W
- (4) Under 400V/3/50Hz
- (5) Rated Condition without Pump Package
- (6) Percent minimum load can be lowered on demand to local sales office
- (7) Minimum start-up/operation ambient based on a 2.22 m/s (5mph) wind across the condenser
- (8) Maximum ambient operation is for unit at 12°C / 7°C

Electrical & system data are subject to change without notice. Please refer to unit nameplate data

General Data

Table 15 - General Data RTAF 090-205 High Seasonal Efficiency Short - Standard and Low Noise

		RTAF 090	RTAF 105	RTAF 125	RTAF 145	RTAF 155	RTAF 175	RTAF 190	RTAF 205
		HSS-SN&LN	HSS-SN&LN	HSS-SN&LN	HSS-SN&LN	HSS-SN&LN	HSS-SN&LN	HSS-SN&LN	HSS-SN&LN
Eurovent Performances (1)									
Net Cooling Capacity	(kW)	330	378	445	529	571	621	681	736
Total Power input in cooling	(kW)	106	125	151	172	192	214	229	252
EER		3.11	3.03	2.94	3.08	2.98	2.90	2.98	2.92
ESEER		4.24	4.17	4.33	4.44	4.38	4.38	4.40	4.39
Eurovent Efficiency class Cooling		A	B	B	B	B	C	B	B
Sound power level (Standard Noise)	(dBA)	94	94	95	96	97	97	98	98
Sound power level (Low Noise)	(dBA)	91	91	92	93	94	94	95	95
Cooling application data (1)									
Gross cooling capacity	(kW)	331	380	446	531	572	623	683	738
Gross power input	(kW)	105	124	150	170	190	212	226	249
Gross EER		3.15	3.07	2.97	3.12	3.02	2.93	3.02	2.96
Gross ESEER		4.42	4.35	4.49	4.66	4.59	4.57	4.62	4.58
Middle East design condition performances (2)									
Gross cooling capacity	(kW)	272	310	360	436	466	503	558	599
Gross power input	(kW)	118	140	169	192	214	239	255	281
Gross EER		2.31	2.22	2.13	2.27	2.17	2.10	2.19	2.13
Compressor									
Quantity	#	2	2	2	2	2	2	2	2
Model		45/45	50/50	70/50	70/70	85/70	100/70	100/85	100/100
Evaporator									
Evaporator model		115B	115A	165B	165B	165A	200B	200B	250C
Evaporator Water Content volume	(l)	51	58	74	74	78	99	99	109
Two pass evaporator									
Evap. Water Flow rate - Minimum	(l/s)	8.0	9.4	11.6	11.6	12.4	14.2	14.2	16.2
Evap. Water Flow rate - Maximum	(l/s)	29.6	34.7	43.1	43.1	46.0	52.6	52.6	60.3
Two pass with turbulator evaporator									
Evap. Water Flow rate - Minimum	(l/s)	6.6	7.8	9.7	9.7	10.3	11.8	11.8	13.5
Evap. Water Flow rate - Maximum	(l/s)	26.6	31.2	38.7	38.7	41.3	47.2	47.2	54.1
Condenser									
Quantity	#	4/4	4/4	4/4	5/5	5/5	6/4	6/6	6/6
Face area per coil	(m ²)	2.4	2.4	2.4	2.4	2.4	2.4	2.4	2.4
Condenser Fan									
Quantity	#	4/4	4/4	4/4	5/5	5/5	6/4	6/6	6/6
Diameter	(mm)	800	800	800	800	800	800	800	800
Standard / High ambient fan option / Low ambient fan option									
Fan / motor Type		Propeller fan / Variable speed - EC motor							
Airflow per Fan	(m ³ /h)	20000	20000	20000	20000	20000	20000	20000	20000
Rated motor RPM	(rpm)	910	910	910	910	910	910	910	910
Operating limits									
Minimum Starting / Operating Ambient (7)									
Standard ambient unit	(°C)	-10	-10	-10	-10	-10	-10	-10	-10
Low Ambient (Option)	(°C)	-20	-20	-20	-20	-20	-20	-20	-20
Maximum ambient operation Standard ambient (8)	(°C)	46	46	46	46	46	46	46	46
Maximum ambient operation High ambient (8)	(°C)	55	55	55	55	55	55	55	55
System data									
Nb of refrigerant circuit	#	2	2	2	2	2	2	2	2
Minimum cooling load % (6)	%	30	30	30	30	30	30	30	30
Shipping Weight(5)	(kg)	3362	3404	3543	4063	4360	4460	4995	5091
Operating Weight(5)	(kg)	3421	3472	3629	4149	4450	4575	5110	5218

Notes:

- (1) At Evaporator water temperature: 12°C / 7°C - Condenser air temperature 35°C according to EN14511:2013
- (2) At Evaporator water temperature: 6.6°C (44°F) / 12.2°C (54°F) - condenser air temperature 46°C (114.8°F) - FFE=1.76*10⁻⁵ m²•°C/W
- (4) Under 400V/3/50Hz
- (5) Rated Condition without Pump Package
- (6) Percent minimum load can be lowered on demand to local sales office
- (7) Minimum start-up/operation ambient based on a 2.22 m/s (5mph) wind across the condenser
- (8) Maximum ambient operation is for unit at 12°C / 7°C

Electrical & system data are subject to change without notice. Please refer to unit nameplate data

General Data

Table 16 - General Data RTAF 250-410 High Seasonal Efficiency Short - Standard and Low Noise

		RTAF 250	RTAF 280	RTAF 310	RTAF 350	RTAF 380	RTAF 410
		HSS-SN&LN	HSS-SN&LN	HSS-SN&LN	HSS-SN&LN	HSS-SN&LN	HSS-SN&LN
Eurovent Performances (1)							
Net Cooling Capacity	(kW)	866	979	1077	1200	1330	1450
Total Power input in cooling	(kW)	297	336	383	426	464	504
EER		2.92	2.92	2.81	2.82	2.87	2.88
ESEER		4.37	4.27	4.23	4.40	4.45	4.49
Eurovent Efficiency class Cooling		B	B	C	C	C	C
Sound power level (Standard Noise)	(dBA)	99	100	101	101	101	102
Sound power level (Low Noise)	(dBA)	97	98	99	99	99	100
Middle East design condition performances (2)							
Gross cooling capacity	(kW)	705	800	874	969	1079	1180
Gross power input	(kW)	332	376	429	476	519	564
Gross EER		2.12	2.13	2.04	2.03	2.08	2.09
Compressor							
Quantity	#	3	3	3	4	4	4
Model		85-85/70	85-100/85	100-100/100	85-85/85-85	85-100/85-100	100-100/100-100
Evaporator							
Quantity	#	1	1	1	1	1	1
Evaporator model		300D	300B	300A	500D	500C	500B
Evaporator Water Content volume	(l)	97	108	120	146	159	170
Two pass evaporator							
Evap. Water Flow rate - Minimum	(l/s)	17.7	20.1	22.8	25.0	27.8	30.3
Evap. Water Flow rate - Maximum	(l/s)	65.8	74.5	84.8	92.8	103.0	112.5
Two pass with turbulator evaporator							
Evap. Water Flow rate - Minimum	(l/s)	14.8	16.7	19.0	20.8	23.1	25.3
Evap. Water Flow rate - Maximum	(l/s)	59.1	66.9	76.1	83.4	92.5	101.1
Condenser							
Quantity	#	10/4	10/6	10/6	10/8	10/10	12/10
Face area per coil	(m ²)	2.4	2.4	2.4	2.4	2.4	2.4
Condenser Fan							
Quantity	#	10/4	10/6	10/6	10/8	10/10	12/10
Diameter	(mm)	800	800	800	800	800	800
Standard / High ambient fan option / Low ambient fan option							
Fan / motor Type		Propeller fan / Variable speed - EC motor					
Airflow per Fan	(m ³ /s)	5.6	5.6	5.6	5.6	5.6	5.6
Power per Motor	(kW)	1.3	1.3	1.3	1.3	1.3	1.3
Rated Amps per Motor	(A)	2.3	2.3	2.3	2.3	2.3	2.3
Rated motor RPM	(rpm)	910	910	910	910	910	910
Operating limits							
Minimum Starting / Operating Ambient (7)							
Standard ambient unit	(°C)	-10	-10	-10	-10	-10	-10
Low Ambient (Option)	(°C)	-20	-20	-20	-20	-20	-20
Maximum ambient operation Standard ambient (8)	(°C)	46	46	46	46	46	46
Maximum ambient operation High ambient (8)	(°C)	55	55	55	55	55	55
System data							
Nb of refrigerant circuit	#	2	2	2	2	2	2
Minimum cooling load % (6)	%	10	10	10	10	10	10
Shipping Weight(5)	(kg)	6630	7215	7235	8440	8975	9325
Operating Weight(5)	(kg)	6685	7275	7325	8530	9070	9425

Notes:

- (1) At Evaporator water temperature: 12°C / 7°C - Condenser air temperature 35°C according to EN14511:2013
- (2) At Evaporator water temperature: 6.6°C (44°F) / 12.2°C (54°F) - condenser air temperature 46°C (114.8°F) - FFE=1.76*10⁻⁵ m²•°C/W
- (4) Under 400V/3/50Hz
- (5) Rated Condition without Pump Package
- (6) Percent minimum load can be lowered on demand to local sales office
- (7) Minimum start-up/operation ambient based on a 2.22 m/s (5mph) wind across the condenser
- (8) Maximum ambient operation is for unit at 12°C / 7°C

Electrical & system data are subject to change without notice. Please refer to unit nameplate data

General Data

Table 17 - General Data RTAF 090-205 High Seasonal Efficiency Short - Extra Low Noise

		RTAF 090	RTAF 105	RTAF 125	RTAF 145	RTAF 155	RTAF 175	RTAF 190	RTAF 205
Eurovent Performances (1)		HSS-XLN	HSS-XLN	HSS-XLN	HSS-XLN	HSS-XLN	HSS-XLN	HSS-XLN	HSS-XLN
Total Power input in cooling	(kW)	330	378	445	529	570	621	681	735
EER	(kW)	105	123	150	170	190	212	226	249
ESEER		3.16	3.07	2.97	3.11	3.01	2.92	3.01	2.95
ESEER		4.33	4.26	4.41	4.54	4.46	4.46	4.48	4.46
Eurovent Efficiency class Cooling		A	B	B	A	B	B	B	B
Sound power level (Extra Low Noise)	(dBA)	88	88	88	89	90	90	91	91
Cooling application data (1)									
Gross cooling capacity	(kW)	331	379	446	531	572	622	683	738
Gross power input	(kW)	104	122	149	168	188	210	224	247
Gross EER		3.20	3.11	3.00	3.16	3.05	2.96	3.05	2.99
Gross ESEER		4.52	4.44	4.58	4.76	4.68	4.66	4.70	4.66
Middle East design condition performances (2)									
Gross cooling capacity	(kW)	272	310	360	436	466	503	558	599
Gross power input	(kW)	117	138	168	190	212	238	253	279
Gross EER		2.34	2.24	2.14	2.29	2.19	2.12	2.21	2.15
Compressor									
Quantity	#	2	2	2	2	2	2	2	2
Model		45/45	50/50	70/50	70/70	85/70	100/70	100/85	100/100
Evaporator									
Evaporator Water Content volume	(l)	51	58	74	74	78	99	99	109
Two pass evaporator									
Evap. Water Flow rate - Minimum	(l/s)	8.0	9.4	11.6	11.6	12.4	14.2	14.2	16.2
Evap. Water Flow rate - Maximum	(l/s)	29.6	34.7	43.1	43.1	46.0	52.6	52.6	60.3
Two pass with turbulator evaporator									
Evap. Water Flow rate - Minimum	(l/s)	6.6	7.8	9.7	9.7	10.3	11.8	11.8	13.5
Evap. Water Flow rate - Maximum	(l/s)	26.6	31.2	38.7	38.7	41.3	47.2	47.2	54.1
Condenser									
Quantity	#	4/4	4/4	4/4	5/5	5/5	6/4	6/6	6/6
Face area per coil	(m ²)	2.4	2.4	2.4	2.4	2.4	2.4	2.4	2.4
Condenser Fan									
Quantity	#	4/4	4/4	4/4	5/5	5/5	6/4	6/6	6/6
Diameter	(mm)	800	800	800	800	800	800	800	800
Standard / High ambient fan option / Low ambient fan option									
Fan / motor Type		Propeller fan / Variable speed - EC motor							
Airflow per Fan	(m ³ /h)	20000	20000	20000	20000	20000	20000	20000	20000
Rated motor RPM	(rpm)	860	860	860	860	860	860	860	860
Operating limits									
Minimum Starting / Operating Ambient (7)									
Standard ambient unit	(°C)	-10	-10	-10	-10	-10	-10	-10	-10
Low Ambient (Option)	(°C)	-20	-20	-20	-20	-20	-20	-20	-20
Maximum ambient operation Standard ambient (8)	(°C)	46	46	46	46	46	46	46	46
Maximum ambient operation High ambient (8)	(°C)	55	55	55	55	55	55	55	55
System data									
Nb of refrigerant circuit	#	2	2	2	2	2	2	2	2
Minimum cooling load % (6)	%	30	30	30	30	30	30	30	30
Shipping Weight(5)	(kg)	3425	3450	3610	4090	4150	4595	5075	5095
Operating Weight(5)	(kg)	3480	3515	3695	4175	4240	4710	5190	5220

Notes:

- (1) At Evaporator water temperature: 12°C / 7°C - Condenser air temperature 35°C according to EN14511:2013
- (2) At Evaporator water temperature: 6.6°C (44°F) / 12.2°C (54°F) - condenser air temperature 46°C (114.8°F) - FFE=1.76*10⁻⁵ m²•°C/W
- (4) Under 400V/3/50Hz
- (5) Rated Condition without Pump Package
- (6) Percent minimum load can be lowered on demand to local sales office
- (7) Minimum start-up/operation ambient based on a 2.22 m/s (5mph) wind across the condenser
- (8) Maximum ambient operation is for unit at 12°C / 7°C

Electrical & system data are subject to change without notice. Please refer to unit nameplate data

General Data

Table 18 - General Data RTAF 250-410 High Seasonal Efficiency Short - Extra Low Noise

		RTAF 250	RTAF 280	RTAF 310	RTAF 350	RTAF 380	RTAF 410
		HSS-XLN	HSS-XLN	HSS-XLN	HSS-XLN	HSS-XLN	HSS-XLN
Eurovent Performances (1)							
Net Cooling Capacity	(kW)	866	979	1076	1199	1329	1450
Total Power input in cooling	(kW)	294	333	380	422	460	500
EER		2.94	2.94	2.83	2.84	2.89	2.90
ESEER		4.44	4.34	4.30	4.48	4.53	4.55
Eurovent Efficiency class Cooling		B	B	C	C	C	C
Sound power level	(dBA)	93	94	94	94	95	95
Middle East design condition performances (2)							
Gross cooling capacity	(kW)	705	800	874	968	1079	1180
Gross power input	(kW)	330	373	426	473	516	560
Gross EER		2.14	2.15	2.05	2.05	2.09	2.11
Compressor							
Quantity	#	3	3	3	4	4	4
Model		85-85/70	85-100/85	100-100/100	85-85/85-85	85-100/85-100	100-100/100-100
Evaporator							
Evaporator model		300D	300B	300A	500D	500C	500B
Evaporator Water Content volume	(l)	97	108	120	146	159	170
Two pass evaporator							
Evap. Water Flow rate - Minimum	(l/s)	17.7	20.1	22.8	25.0	27.8	30.3
Evap. Water Flow rate - Maximum	(l/s)	65.8	74.5	84.8	92.8	103.0	112.5
Two pass with turbulator evaporator							
Evap. Water Flow rate - Minimum	(l/s)	14.8	16.7	19.0	20.8	23.1	25.3
Evap. Water Flow rate - Maximum	(l/s)	59.1	66.9	76.1	83.4	92.5	101.1
Condenser							
Quantity	#	10/4	10/6	10/6	10/8	10/10	12/10
Face area per coil	(m ²)	2.4	2.4	2.4	2.4	2.4	2.4
Condenser Fan							
Quantity	#	10/4	10/6	10/6	10/8	10/10	12/10
Diameter	(mm)	800	800	800	800	800	800
Standard / High ambient fan option / Low ambient fan option							
Fan / motor Type		Propeller fan / Variable speed - EC motor					
Airflow per Fan	(m ³ /s)	5.6	20000	20000	20000	20000	20000
Power per Motor	(kW)	1.1	1.1	1.1	1.1	1.1	1.1
Rated Amps per Motor	(A)	1.8	1.8	1.8	1.8	1.8	1.8
Rated motor RPM	(rpm)	860	860	860	860	860	860
Operating limits							
Minimum Starting / Operating Ambient (7)							
Standard ambient unit	(°C)	-10	-10	-10	-10	-10	-10
Low Ambient (Option)	(°C)	-20	-20	-20	-20	-20	-20
Maximum ambient operation Standard ambient (8)	(°C)	46	46	46	46	46	46
Maximum ambient operation High ambient (8)	(°C)	55	55	55	55	55	55
System data							
Nb of refrigerant circuit	#	2	2	2	2	2	2
Minimum cooling load % (6)	%	10	10	10	10	10	10
Shipping Weight(5)	(kg)	6770	7375	7395	8620	9175	9545
Operating Weight(5)	(kg)	6825	7435	7485	8710	9270	9645

Notes:

- (1) At Evaporator water temperature: 12°C / 7°C - Condenser air temperature 35°C according to EN14511:2013
- (2) At Evaporator water temperature: 6.6°C (44°F) / 12.2°C (54°F) - condenser air temperature 46°C (114.8°F) - FFE=1.76*10⁻⁵ m²•°C/W
- (4) Under 400V/3/50Hz
- (5) Rated Condition without Pump Package
- (6) Percent minimum load can be lowered on demand to local sales office
- (7) Minimum start-up/operation ambient based on a 2.22 m/s (5mph) wind across the condenser
- (8) Maximum ambient operation is for unit at 12°C / 7°C

Electrical & system data are subject to change without notice. Please refer to unit nameplate data

General Data

Figure 10 – Evaporator water pressure drop without Turbulators (SI Unit) sizes 090-205

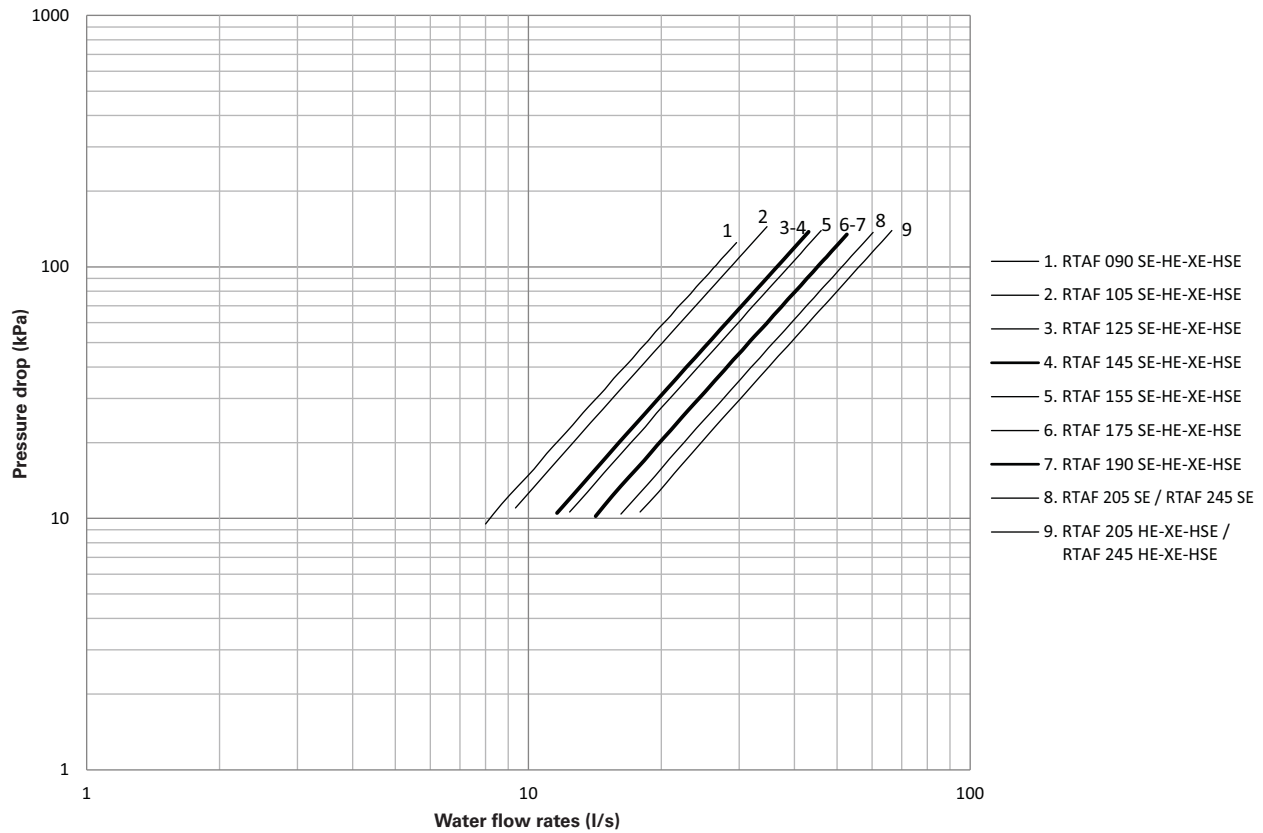
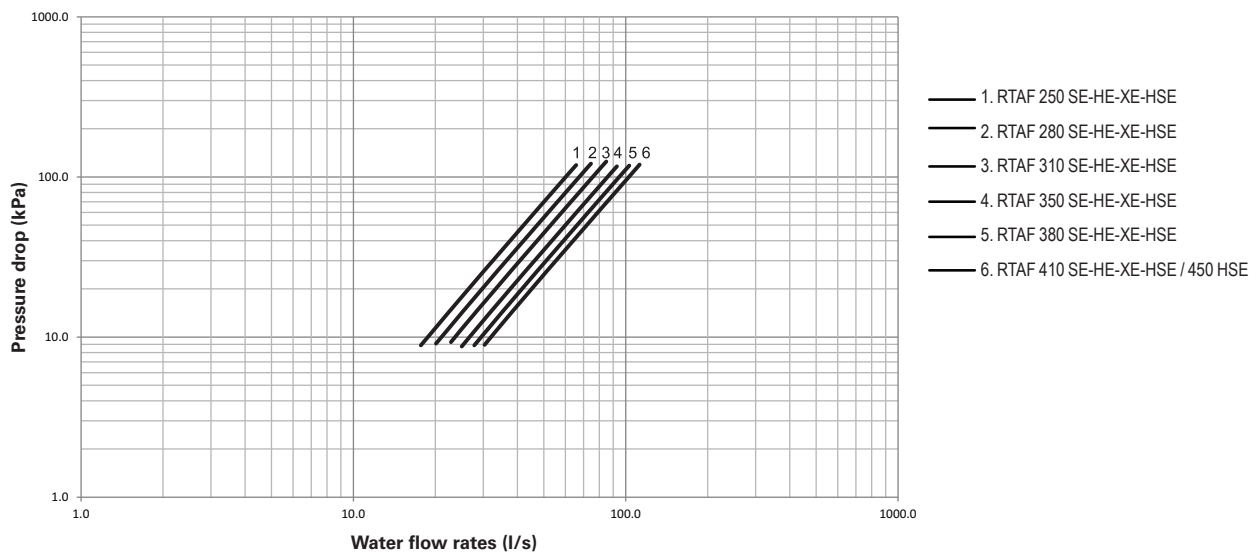


Figure 11 - Evaporator water pressure drop without Turbulators (SI Unit) sizes 250-450



General Data

Figure 12 – Evaporator water pressure drop without Turbulators (SI Unit) sizes 090-205

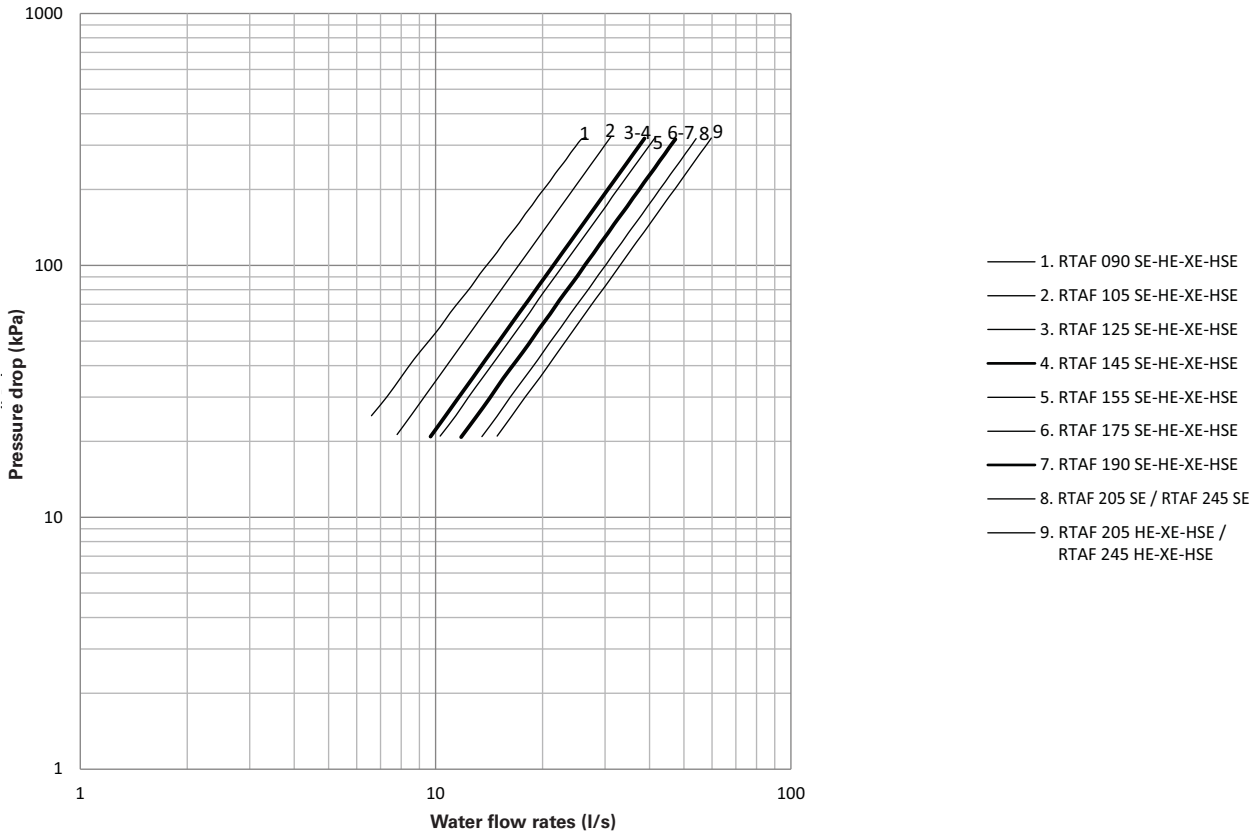
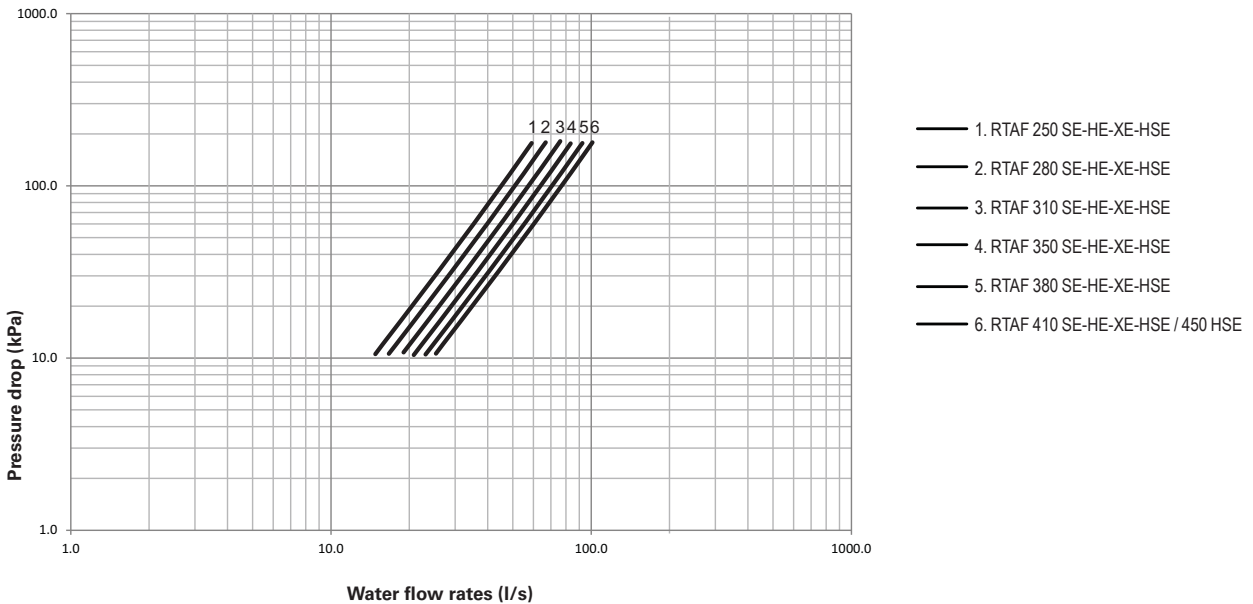


Figure 13 - Evaporator water pressure drop without Turbulators (SI Unit) sizes 250-450



General Data

Figure 14 – Standard head available pressure pump package (Evaporator without Turbulators)

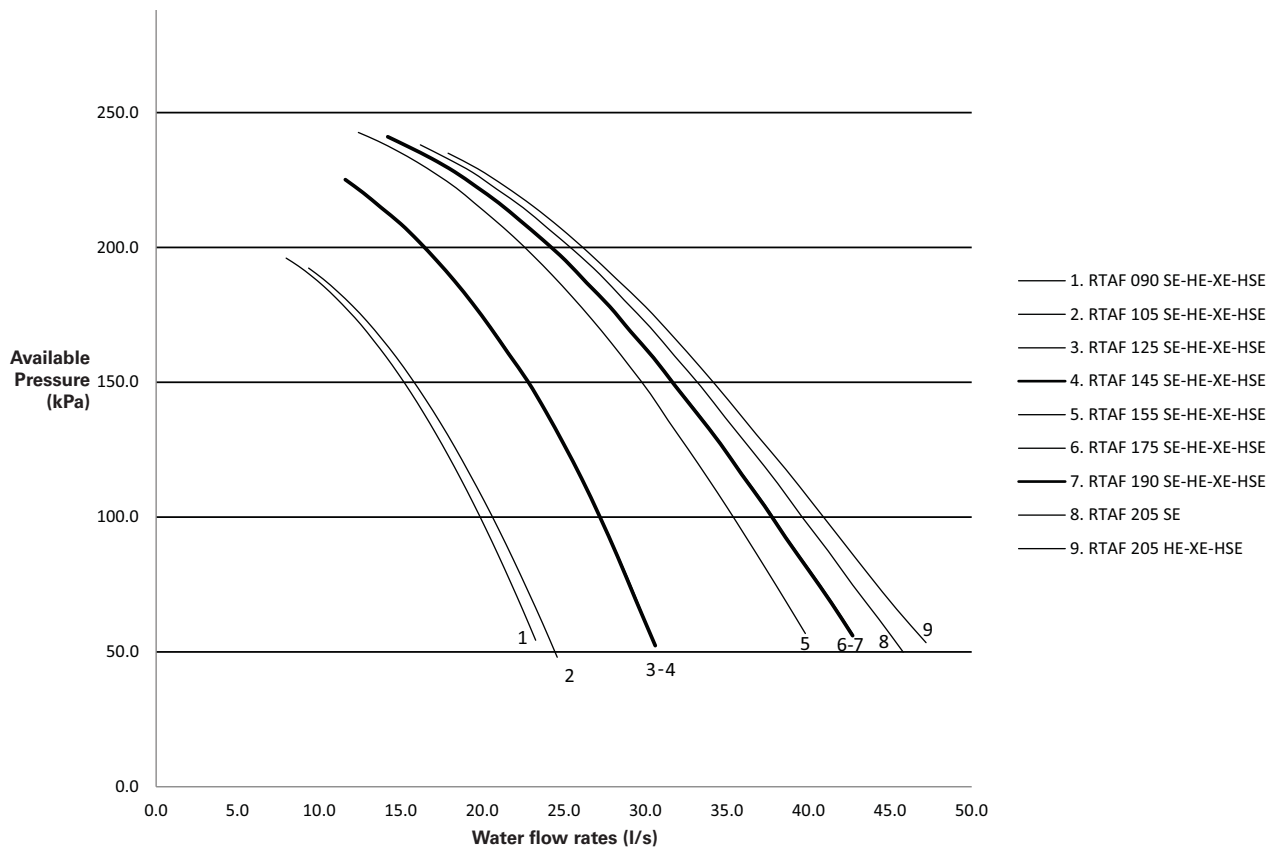
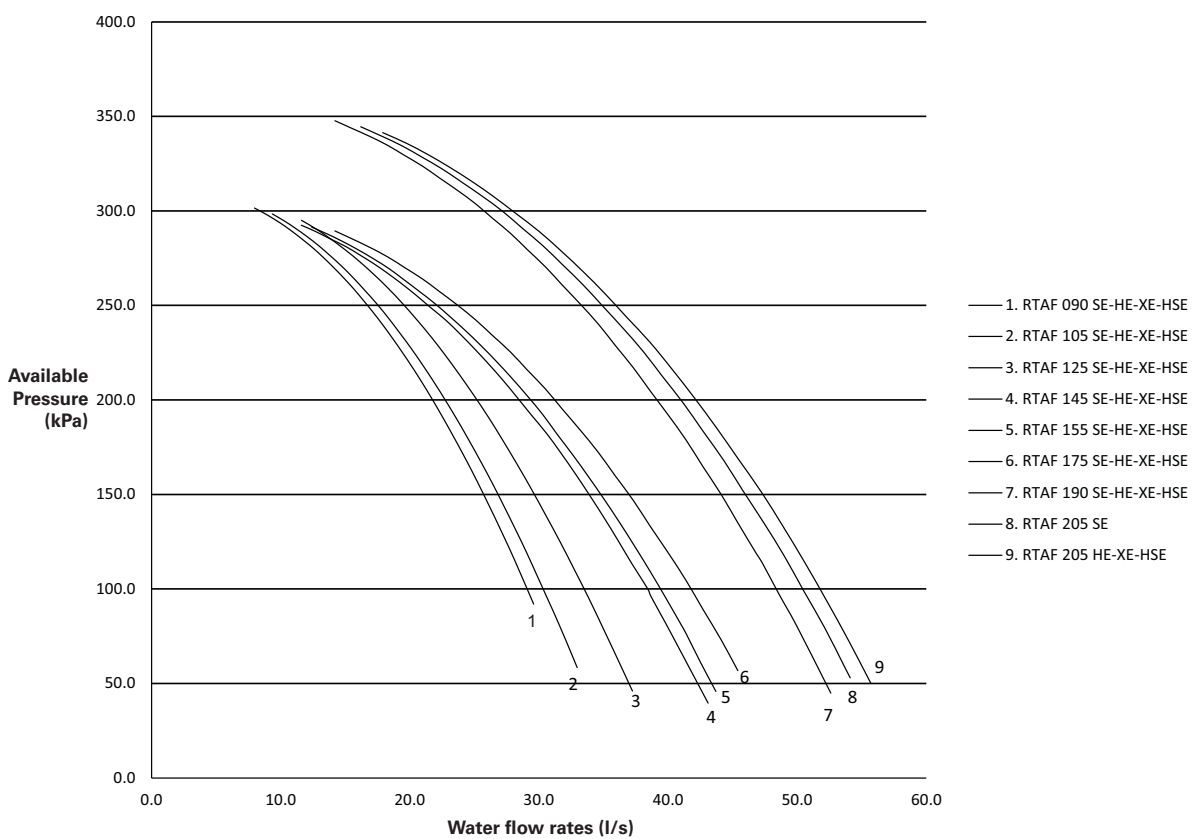


Figure 15 – High head available pressure pump package (Evaporator without Turbulators)



General Data

Figure 16 – Standard head available pressure pump package (Evaporator with Turbulators)

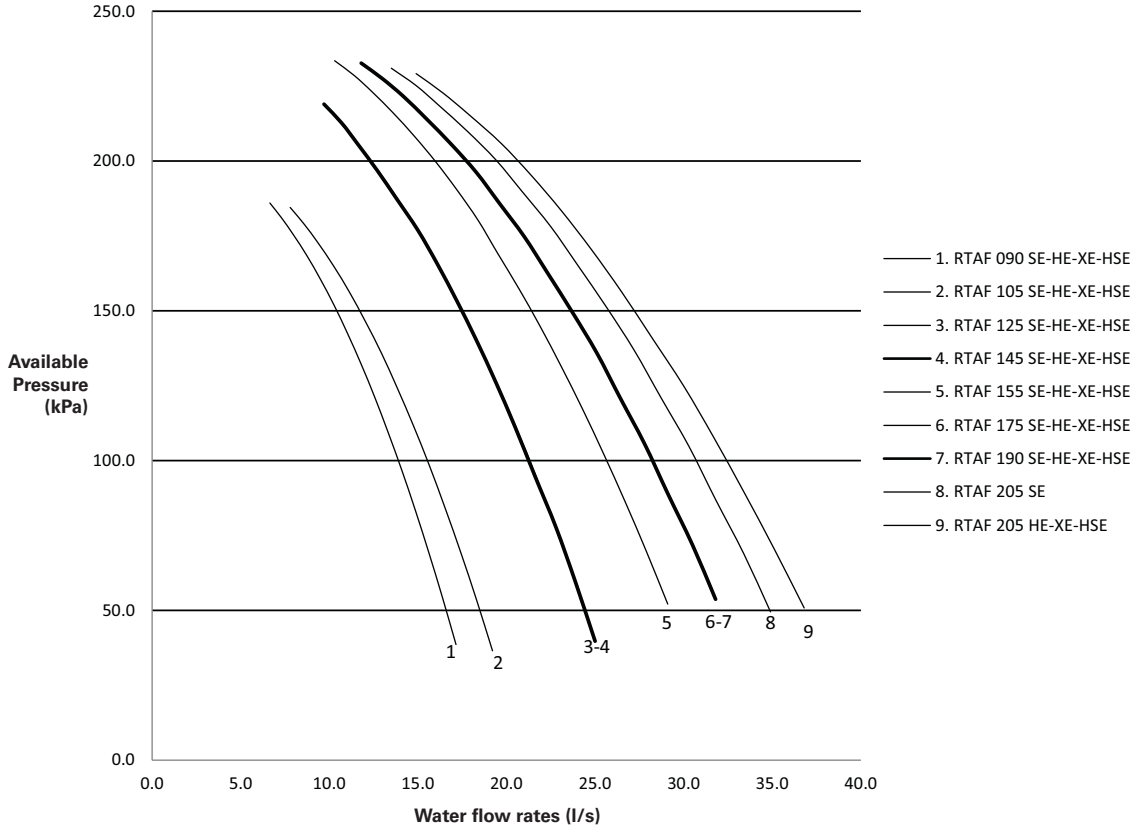
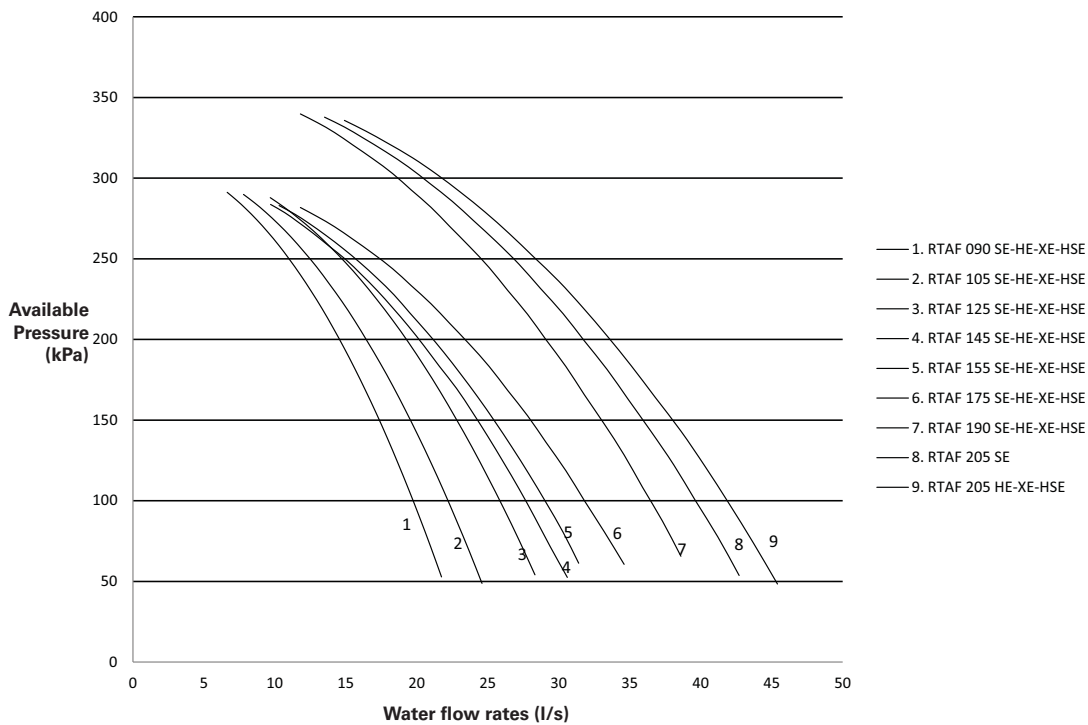


Figure 17 – Pressure pump package (Evaporator with Turbulators)



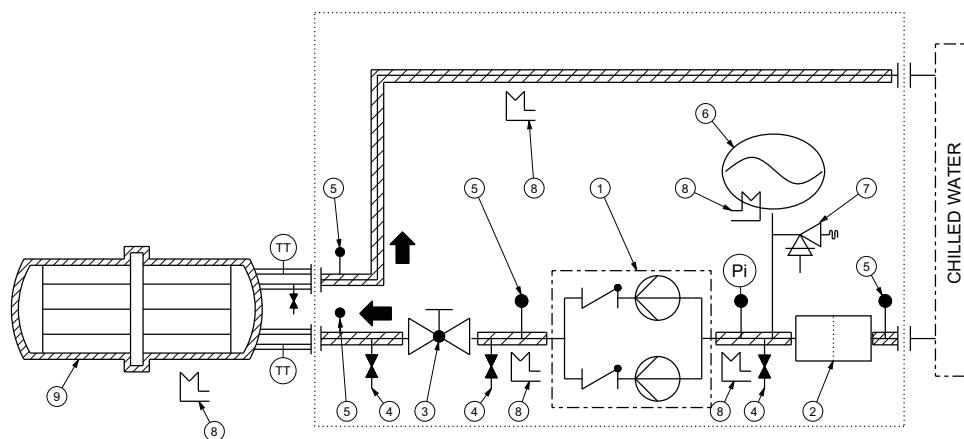
Hydraulic Module

The hydraulic module includes*:

- Twin water pump: Low pressure or High pressure
- Water strainer to protect the water circuit against fouling
- Expansion vessel and pressure relief valve to protect the water circuit against over pressure
- Thermal insulation for antifreeze protection
- Balancing valve to adjust the water flow
- Drain valve

* Components may differ depending on unit model and size. Contact your local sales office for details.

Figure 18 – Hydraulic module option



- 1 = Twin centrifugal pump
- 2 = Water strainer
- 3 = Balancing valve
- 4 = Drain valve
- 5 = Valve for pressure point
- 6 = Expansion tank
- 7 = Pressure relief valve
- 8 = Antifreeze protection
- 9 = Evaporator
- Pi = Gauge
- TT = Temperature sensor

Sound Power Levels

Table 19 – Sound power levels in accordance with ISO 9614 - 1996.

Unit RTAF	SE					HE		XE					HSE				
	SN	LN	LN+NNSB	XLN	XLN+NNSB	SN	LN	SN	LN	LN+NNSB	XLN	XLN+NNSB	SN	LN	LN+NNSB	XLN	XLN+NNSB
090	95	92	89	88	85	95	93	94	91	90	88	86	94	91	90	88	86
105	95	92	89	89	86	95	93	94	91	89	88	86	94	91	89	88	86
125	95	92	89	89	86	96	93	95	92	90	88	85	95	92	90	88	85
145	96	93	90	89	86	96	93	96	93	90	89	86	96	93	90	89	86
155	96	93	90	90	87	97	94	97	94	91	90	87	97	94	91	90	87
175	97	94	91	90	87	97	94	97	94	91	90	87	97	94	91	90	87
190	97	94	91	91	88	98	95	98	95	92	91	88	98	95	92	91	88
205	97	94	91	91	88	98	95	98	95	92	91	88	98	95	92	91	88

Table 20 – Sound pressure levels at 10m

Unit RTAF	SE					HE		XE					HSE				
	SN	LN	LN+NNSB	XLN	XLN+NNSB	SN	LN	SN	LN	LN+NNSB	XLN	XLN+NNSB	SN	LN	LN+NNSB	XLN	XLN+NNSB
090	62	59	56	55	52	62	60	61	58	57	55	53	61	58	57	55	53
105	62	59	56	56	53	62	60	61	58	56	55	53	61	58	56	55	53
125	62	59	56	56	53	63	60	62	59	57	55	52	62	59	57	55	52
145	63	60	57	56	53	63	60	63	60	57	56	53	63	60	57	56	53
155	63	60	57	57	54	64	61	64	61	58	57	54	64	61	58	57	54
175	64	61	58	57	54	64	61	64	61	58	57	54	64	61	58	57	54
190	64	61	58	58	55	65	62	65	62	59	58	55	65	62	59	58	55
205	64	61	58	58	55	65	62	65	62	59	58	55	65	62	59	58	55

Notes:

At Eurovent conditions: 12/7°C entering/leaving water temperature and 35°C ambient temperature

(1) Value at full load with 1pW Reference Sound Power, according to ISO9614

(2) Average at 10 meters in a free field. This is a non-contractual data, calculated from the above certified sound power level according to the formula $L_p=L_w-10\log S$. This is an averaged value considering the unit as a paralelepipedic box with five exposed face areas.

Table 21 – Sound Power Levels in accordance with ISO 9614-1996

Unit RTAF	SE					HE		XE					HSS					HSE				
	SN	LN	LN+NNSB	XLN	XLN+NNSB	SN	LN	SN	LN	LN+NNSB	XLN	XLN+NNSB	SN	LN	LN+NNSB	XLN	XLN+NNSB	SN	LN	LN+NNSB	XLN	XLN+NNSB
250	99	96	94	93	91	99	96	99	96	94	93	91	99	97	95	93	91	99	97	95	93	91
280	100	97	95	94	92	100	97	100	97	95	94	92	100	98	96	94	92	100	98	96	94	92
310	101	98	96	94	92	101	98	101	98	96	95	93	101	99	97	95	93	101	99	97	95	93
350	101	98	96	94	92	101	98	101	98	96	95	93	101	99	97	95	93	101	99	97	95	93
380	101	98	96	95	93	102	98	102	98	96	95	93	102	99	97	95	93	102	99	97	95	93
410	102	99	97	95	93	102	99	102	99	97	95	93	102	100	98	95	93	102	100	98	95	93
450	-	-	-	-	-	-	-	-	-	-	-	-	-	-	-	-	-	107	105	103	103	101

Table 22 – Sound Pressure Levels at 10 m

Unit RTAF	SE					HE		XE					HSS					HSE				
	SN	LN	LN+NNSB	XLN	XLN+NNSB	SN	LN	SN	LN	LN+NNSB	XLN	XLN+NNSB	SN	LN	LN+NNSB	XLN	XLN+NNSB	SN	LN	LN+NNSB	XLN	XLN+NNSB
250	66	63	61	60	58	66	63	66	63	61	60	58	66	64	62	60	58	66	64	62	60	58
280	67	64	62	61	59	67	64	67	64	62	61	59	67	65	63	61	59	67	65	63	61	59
310	68	65	63	61	59	68	65	68	65	63	62	60	68	66	64	62	60	68	66	64	62	60
350	68	65	63	61	59	68	65	68	65	63	62	60	68	66	64	62	60	68	66	64	62	60
380	68	65	63	62	60	69	65	69	65	63	62	60	69	66	64	62	60	69	66	64	62	60
410	69	66	64	62	60	69	66	69	66	64	62	60	69	67	65	62	60	69	67	65	62	60
450	-	-	-	-	-	-	-	-	-	-	-	-	-	-	-	-	-	74	72	70	70	68

Notes:

At Eurovent conditions: 12/7°C entering/leaving water temperature and 35°C ambient temperature

(1) Value at full load with 1pW Reference Sound Power, according to ISO9614

(2) Average at 10 meters in a free field. This is a non-contractual data, calculated from the above certified sound power level according to the formula $L_p=L_w-10\log S$. This is an averaged value considering the unit as a paralelepipedic box with five exposed face areas.

Controls System

Tracer UC800 Controller

Today's Sintesis chillers offer predictive controls that anticipate and compensate for load changes. Other control strategies made possible with the Tracer UC800 controls are:

Feedforward Adaptive Control

Feedforward is an open-loop, predictive control strategy designed to anticipate and compensate for load changes. It uses evaporator entering-water temperature as an indication of load change.

This allows the controller to respond faster and maintain stable leaving-water temperatures.

Soft Loading

The chiller controller uses soft loading except during manual operation. Large adjustments due to load or setpoint changes are made gradually, preventing the compressor from cycling unnecessarily. It does this by internally filtering the setpoints to avoid reaching the differential-to-stop or the demand limit. Soft loading applies to the leaving chilled-water temperature and demand limit setpoints.

Adaptive Controls

There are many objectives that the controller must meet, but it cannot satisfy more than one objective at a time. Typically, the controllers primary objective is to maintain the evaporator leaving water temperature.

Whenever the controller senses that it can no longer meet its primary objective without triggering a protective shutdown, it focuses on the most critical secondary objective. When the secondary objective is no longer critical, the controller reverts to its primary objective

Rapid Restart

The controller allows the Sintesis chiller to perform a Rapid Restart. A Rapid Restart is performed after a momentary power loss if it occurs during operation. Similarly, if the chiller shuts down on a non-latching diagnostic and the diagnostic later clears itself, a Rapid Restart will be initiated

AdaptiSpeed Control

The speed control is now optimized mathematically and controlled simultaneously. The increased performance of the UC800 Controller allows the chiller to operate longer at higher efficiency, and with greater stability.

Variable-Primary Flow (VPF)

Chilled-water systems that vary the water flow through chiller evaporators have caught the attention of engineers, contractors, building owners, and operators. Varying the water flow reduces the energy consumed by pumps, while having limited effect on the chiller energy consumption. This strategy can be a significant source of energy savings, depending on the application.

TD7 Operator Interface

The standard TD7 display provided with the Trane UC800 controller features a 7" LCD touch-screen, allowing access to all operational inputs and outputs. This is an advanced interface that allows the user to access any important information concerning setpoints, active temperatures, modes, electrical data, pressure, and diagnostics.

Display Features Include:

- Factory-mounted above the control panel door
- UV Resistant touchscreen
- -40°C to 70°C Operating temperature
- IP56 rated
- CE marking
- Emissions: EN55011(Class B)
- Immunity: EN61000(Industrial)
- 7" diagonal
- 800x480 pixels
- TFT LCD @ 600 nits brightness
- 16 bit color graphic display
- Display features:
 - Alarms
 - Reports
 - Chiller settings
 - Display settings
 - Graphing
 - Support for 15 languages

Figure 19 – TD7 operator interface





Controls System

TracerTU Interface

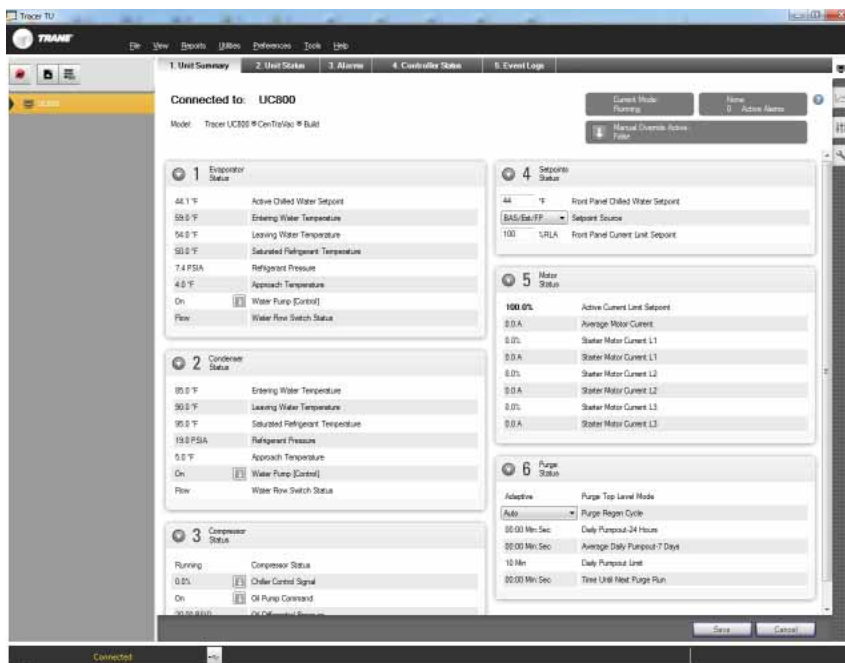
TracerTU (for on-Trane personnel, contact your local Trane office for software) adds a level of sophistication that improves service technician effectiveness and minimizes chiller downtime. The portable PC-based service-tool software, TracerTU, supports service and maintenance tasks. TracerTU serves as a common interface to all Trane® chillers, and will customize itself based on the properties of the chiller with which it is communicating. Thus, the service technician learns only one service interface. The panel bus is easy to troubleshoot using LED sensor verification. Only the defective device is replaced. TracerTU can communicate with individual devices or groups of devices. All chiller status, machine configuration settings, customizable limits, and up to 100 active or historic diagnostics are displayed through the service-tool software interface. LEDs and their respective TracerTU indicators visually confirm the availability of each connected sensor, relay, and actuator.

TracerTU is designed to run on a customer's laptop, connected to the TracerTD7 control panel with a USB cable. Your laptop must meet the following hardware and software requirements:

- 1 GB RAM (minimum)
- 1024 x 768 screen resolution
- CD-ROM drive
- Ethernet 10/100 LAN card
- An available USB 2.0 port
- Microsoft® Windows® XP Professional operation system with Service Pack 3 (SP3) or Windows 7 Enterprise or Professional operating system (32-bit or 64-bit)
- Microsoft .NET Framework 4.0 or later

Note: TracerTU is designed and validated for this minimum laptop configuration. Any variation from this configuration may have different results. Therefore, support for TracerTU is limited to only those laptops with the configuration previously specified.

Figure 20 – Screen TD7 interface



Controls System

System Integration

Stand-Alone Controls

Single chillers installed in applications without a building management system are simple to install and control: only a remote auto/stop for scheduling is required for unit operation. Signals from the chilled-water pump contactor auxiliary, or a flow switch, are wired to the chilled-water flow interlock. Signals from a time clock or some other remote device are wired to the external auto/stop input.

- Auto/Stop-A job-site provided contact closure turns the unit on and off.
- External Interlock-A job-site provided contact opening wired to this input turns the unit off and requires a manual reset of the unit microcomputer. This closure is typically triggered by a job-site provided system such as a fire alarm.

Hardwire Points

Microcomputer controls allow simple interface with other control systems, such as time clocks, building automation systems, and ice storage systems via hardwire points. This means you have the flexibility to meet job requirements while not having to learn a complicated control system. Remote devices are wired from the control panel to provide auxiliary control to a building automation system. Inputs and outputs can be communicated via a typical 4–20 mA electrical signal, an equivalent 2–10 V dc signal, or by utilizing contact closures. This setup has the same features as a stand-alone water chiller, with the possibility of having additional optional features:

- Ice making control.
- External chilled water setpoint, external demand limit setpoint
- Chilled water temperature reset.
- Programmable relays - available outputs are: alarm-latching, alarm-auto reset, general alarm-warning, chiller limit mode, compressor running, and Tracer control.
- **BACnet Interface**
- TracerTD7 control can be configured for BACnet communications at the factory or in the field. This enables the chiller controller to communicate on a BACnet MS/TP network. Chiller setpoints, operating modes, alarms, and status can be monitored and controlled through BACnet. TracerTD7 controls conforms to the BACnet B-ASC profile as defined by ASHRAE 135-2004.
- LonTalk Communications Interface (LCI-C)

- The optional LonTalk® Communications Interface for Chillers (LCI-C) is available factory or field installed. It is an integrated communication board that enables the chiller controller to communicate over a LonTalk network. The LCI-C is capable of controlling and monitoring chiller setpoints, operating modes, alarms, and status. The Trane LCI-C provides additional points beyond the standard LONMARK® defined chiller profile to extend interoperability and support a broader range of system applications. These added points are referred to as open extensions. The LCI-C is certified to the LONMARK Chiller Controller Functional Profile 8040 version 1.0, and follows LonTalk FTT-10A free topology communications.

Modbus Interface TracerTD7 control can be configured for Modbus communications at the factory or in the field. This enables the chiller controller to communicate as a slave device on a Modbus network. Chiller setpoints, operating modes, alarms, and status can be monitored and controlled by a Modbus master device.

Tracer Summit

The chiller plant control capabilities of the Trane Tracer Summit™ building automation system are unequalled in the industry. Trane's depth of experience in chillers and controls makes us a well-qualified choice for automation of chiller plants using air-cooled RTAF chillers. Our chiller plant automation software is fully pre-engineered and tested.

Required features:

- LonTalk/Tracer Summit Interface (selectable option with chiller)
- Building Control Unit (external device required)
- Sequences starting of chillers to optimize the overall chiller plant energy efficiency
 - Individual chillers operate as base, peak, or swing based on capacity and efficiency
 - Automatically rotates individual chiller operation to equalize runtime and wear between chillers
 - Evaluates and selects the lowest energy consumption alternative from an overall system perspective.
- Regulatory Compliance Documentation
- Gathers information and generates the reports mandated in ASHRAE Guideline 3.
- Easy Operation and Maintenance
- Remote monitoring and control
- Displays both current operation conditions and scheduled automated control actions
- Concise reports assist in planning for preventative maintenance and verifying performance

Alarm notification and diagnostic messages aid in quick and accurate troubleshooting.



Controls System

Tracer SC

The Tracer SC™ system controller acts as the central coordinator for all individual equipment devices on a Tracer building automation system. The Tracer SC scans all unit controllers to update information and coordinate building control, including building subsystems such as VAV and chiller water systems. With this system option, the full breadth of Trane's HVAC and controls experience are applied to offer solutions to many facility issues. The LAN allows building operators to manage these varied components as one system from any personal computer with web access.

The benefits of this system are:

- Improved usability with automatic data collection, enhanced data logging, easier to create graphics, simpler navigation, pre-programmed scheduling, reporting, and alarm logs.
- Flexible technology allows for system sizes from 30-120 unit controllers with any combination of LonTalk or BACnet unit controllers.
- LEED certification through site commissioning report, energy data collection measurement, optimizing energy performance, and maintaining indoor air quality.

Energy savings programs include: fan pressure optimization, ventilation reset, and chiller plant control (adds and subtracts chillers to meet cooling loads).

Building Automation and Chiller Plant Control

The UC800 controller can communicate with Trane Tracer Summit, Tracer SC and Tracer ES building automation systems, which include pre-engineered and flexible control for chiller plants. These building automation systems can control the operation of the complete installation: chillers, pumps, isolating valves, air handlers, and terminal units.

Trane can undertake full responsibility for optimized automation and energy management for the entire chiller plant.

The main functions are:

- **Chiller sequencing:** equalizes the number of running hours of the chillers. Different control strategies are available depending on the configuration of the installation.
- **Control of the auxiliaries:** includes input/output modules to control the operation of the various auxiliary equipment (water pumps, valves, etc.).
- **Time-of-day scheduling:** allows the end user to define the occupancy period, for example: time of the day, holiday periods and exception schedules.
- **Optimization of the installation start/stop time:** based on the programmed schedule of occupancy and the historical temperature records. Tracer Summit and Tracer SC calculate the optimal start/stop time of the installation to get the best compromise between energy savings and comfort of the occupants.

- **Soft loading:** the soft loading function minimizes the number of chillers that are operated to satisfy a large chilled-water-loop pull down, thus preventing an overshoot of the actual capacity required. Unnecessary starts are avoided and the peak current demand is lowered.
- **Communication capabilities:** local, through a PC workstation keyboard. Tracer Summit and Tracer SC can be programmed to send messages to other local or remote workstations and or a pager in the following cases:
 - Analog parameter exceeding a programmed value
 - Maintenance warning
 - Component failure alarm
 - Critical alarm messages. In this latter case, the message is displayed until the operator acknowledges the receipt of the information. From the remote station it is also possible to access and modify the chiller plants control parameters.

Remote communication through a modem: as an option, a modem can be connected to communicate the plant operation parameters through voice grade phone lines.

A remote terminal is a PC workstation equipped with a modem and software to display the remote plant parameters.

Integrated Comfort System (ICS)

The onboard Tracer chiller controller is designed to be able to communicate with a wide range of building automation systems. In order to take full advantage of chiller's capabilities, incorporate your chiller into a Tracer Summit or Tracer SC building automation system. But the benefits do not stop at the chiller plant. At Trane, we realize that all the energy used in your cooling system is important. That is why we worked closely with other equipment manufacturers to predict the energy required by the entire system. We used this information to create patented control logic for optimizing HVAC system efficiency. The building owners challenge is to tie components and applications expertise into a single reliable system that provides maximum comfort, control, and efficiency. Trane Integrated Comfort systems (ICS) are a concept that combines system components, controls, and engineering applications expertise into a single, logical, and efficient system. These advanced controls are fully commissioned and available on every piece of Trane® equipment, from the largest chiller to the smallest VAV box. As a manufacturer, only Trane offers this universe of equipment, controls, and factory installation and verification.

Electrical Data

Table 23 – Electrical Data RTAF 090 - 205 / Standard Efficiency

Unit Wiring 400 / 3 / 50						
Unit Size	Number of Power Connections	Maximum Amps (1)	Starting Amps (2)	Power Factor (3)	Disconnect Switch Size	Short Circuit Rating (kA)
Standard noise level / Low noise level / Extra low noise level						
090	1	229	276	0.87	400	35.0
105	1	267	331	0.88	400	35.0
125	1	309	442	0.89	500	35.0
145	1	358	491	0.89	630	35.0
155	1	397	554	0.89	630	35.0
175	1	434	567	0.87	630	35.0
190	1	481	638	0.87	800	35.0
205	1	518	638	0.85	800	35.0

Table 24 – Electrical Data RTAF 090 - 205 / High Efficiency

Unit Wiring 400 / 3 / 50						
Unit Size	Number of Power Connections	Maximum Amps (1)	Starting Amps (2)	Power Factor (3)	Disconnect Switch Size	Short Circuit Rating (kA)
Standard noise level / Low noise level / Extra low noise level						
090	1	236	283	0.87	400	35.0
105	1	274	338	0.86	400	35.0
125	1	316	449	0.87	500	35.0
145	1	366	499	0.88	630	35.0
155	1	405	562	0.88	630	35.0
175	1	442	575	0.88	630	35.0
190	1	489	646	0.87	800	35.0
205	1	526	646	0.87	800	35.0

Table 25 – Electrical Data RTAF 090 - 205 / Extra Efficiency

Unit Wiring 400 / 3 / 50						
Unit Size	Number of Power Connections	Maximum Amps (1)	Starting Amps (2)	Power Factor (3)	Disconnect Switch Size	Short Circuit Rating (kA)
Standard noise level / Low noise level / Extra low noise level						
090	1	236	283	0.91	400	35.0
105	1	274	338	0.89	400	35.0
125	1	316	449	0.90	500	35.0
145	1	366	499	0.91	630	35.0
155	1	405	562	0.90	630	35.0
175	1	442	575	0.90	800	35.0
190	1	489	646	0.90	800	35.0
205	1	526	646	0.90	800	35.0

Table 26 – Electrical Data RTAF 090 - 205 / High Seasonal Efficiency

Unit Wiring 400 / 3 / 50						
Unit Size	Number of Power Connections	Maximum Amps (1)	Starting Amps (2)	Power Factor (3)	Disconnect Switch Size	Short Circuit Rating (kA)
Standard noise level / Low noise level / Extra low noise level						
090	1	229	-	0.95	400	35.0
105	1	262	-	0.95	400	35.0
125	1	305	-	0.95	500	35.0
145	1	357	-	0.95	630	35.0
155	1	392	-	0.95	630	35.0
175	1	427	-	0.95	800	35.0
190	1	470	-	0.95	800	35.0
205	1	505	-	0.95	800	35.0

Notes:

1. Maximum Compressors FLA + All Fans FLA + Control Amps
2. Starting amps of the largest compressor plus RLA of second compressor plus RLA of all fans and control amps
3. Compressor Power Factor



Electrical Data

Table 27 – Electrical Data RTAF 250 - 410 / Standard Efficiency

Unit wiring 400/3/50						
Unit Size	Number of Power Connections	Maximum Amps (A) (1)	Starting Amps (2) (A)	Power Factor	Disconnect Switch Size (A)	Short Circuit Rating (kA)
Standard noise level / Low noise level / Extra low noise level						
250	1	610	767	0.88	1250	35
280	1	694	851	0.88	1250	35
310	1	768	888	0.88	1250	35
350	1	869	1026	0.88	1250	35
380	1	943	1100	0.88	1250	35
410	1	1025	1145	0.88	1250	35
Standard Efficiency Extra Low Noise or Low Ambient						
250	1	610	767	0.90	1250	35
280	1	694	851	0.90	1250	35
310	1	768	888	0.90	1250	35
350	1	869	1026	0.90	1250	35
380	1	943	1100	0.90	1250	35
410	1	1025	1145	0.90	1250	35

Table 28 – Electrical Data RTAF 250 - 410 / High Efficiency

Unit wiring 400/3/50						
Unit Size	Number of Power Connections	Maximum Amps (A) (1)	Starting Amps (2) (A)	Power Factor	Disconnect Switch Size (A)	Short Circuit Rating (kA)
High Efficiency Standard Noise / Low Noise and Standard or High Ambient						
250	1	618	775	0.88	1250	35
280	1	702	859	0.87	1250	35
310	1	776	896	0.88	1250	35
350	1	877	1034	0.87	1250	35
380	1	959	1116	0.87	1250	35
410	1	1033	1153	0.88	1250	35

Table 29 – Electrical Data RTAF 250 - 410 / Extra Efficiency

Unit wiring 400/3/50						
Unit Size	Number of Power Connections	Maximum Amps (A) (1)	Starting Amps (2) (A)	Power Factor	Disconnect Switch Size (A)	Short Circuit Rating (kA)
Extra Efficiency Standard Noise / Low Noise / Extra Low Noise						
250	1	618	775	0.90	1250	35
280	1	702	859	0.90	1250	35
310	1	776	896	0.90	1250	35
350	1	877	1034	0.90	1250	35
380	1	959	1116	0.90	1250	35
410	1	1033	1153	0.90	1250	35

Table 30 – Electrical Data RTAF 250 - 410 / High Seasonal Efficiency

Unit wiring 400/3/50						
Unit Size	Number of Power Connections	Maximum Amps (A) (1)	Starting Amps (2) (A)	Power Factor	Disconnect Switch Size (A)	Short Circuit Rating (kA)
High Seasonal Efficiency Standard Noise / Low Noise / Extra Low Noise						
250	1	604	761	0.93	1250	35
280	1	684	841	0.93	1250	35
310	1	755	875	0.93	1250	35
350	1	859	1016	0.92	1250	35
380	1	941	1098	0.92	1250	35
410	1	1012	1132	0.92	1250	35
450	1	1042	1162	0.92	1600	35

Notes:

1. Maximum Compressors FLA + All Fans FLA + Control Amps
2. Starting amps of the largest compressor plus RLA of second compressor plus RLA of all fans and control amps
3. Compressor Power Factor

Electrical Data

Table 31 – Electrical Data RTAF 250 - 410 / High Seasonal Efficiency Short

Unit wiring 400/3/50						
Unit Size	Number of Power Connections	Maximum Amps (A) (1)	Starting Amps (2) (A)	Power Factor	Disconnect Switch Size (A)	Short Circuit Rating (kA)
HSS Standard Noise / Low Noise / Extra Low Noise						
250	1	596	753	0.93	1250	35
280	1	676	833	0.93	1250	35
310	1	747	867	0.93	1250	35
350	1	852	1009	0.92	1250	35
380	1	926	1083	0.92	1250	35
410	1	1004	1124	0.92	1250	35

Table 32 – Fan Motor and Control Circuit Data - RTAF 090 - 205 / Standard Efficiency

Fan (Each)		Control			Evaporator	
Unit Size	Qty	kW (1) / kW (2)	FLA (2)	kW	A	Heater kW
Standard noise level / Low noise level						
090	8	1.94 / 2.56	3.9	1.776	4.41	0.8
105	8	1.94 / 2.56	3.9	1.776	4.41	0.8
125	8	1.94 / 2.56	3.9	1.776	4.41	0.8
145	10	1.94 / 2.56	3.9	1.776	4.41	0.8
155	10	1.94 / 2.56	3.9	1.776	4.41	0.8
175	10	1.94 / 2.56	3.9	1.776	4.41	1.2
190	12	1.94 / 2.56	3.9	1.776	4.41	1.2
205	12	1.94 / 2.56	3.9	1.776	4.41	1.2
Extra low noise level						
090	8	2.56 / 2.56	3.9	1.776	4.41	0.8
105	8	2.56 / 2.56	3.9	1.776	4.41	0.8
125	8	2.56 / 2.56	3.9	1.776	4.41	0.8
145	10	2.56 / 2.56	3.9	1.776	4.41	0.8
155	10	2.56 / 2.56	3.9	1.776	4.41	0.8
175	10	2.56 / 2.56	3.9	1.776	4.41	1.2
190	12	2.56 / 2.56	3.9	1.776	4.41	1.2
205	12	2.56 / 2.56	3.9	1.776	4.41	1.2

Table 33 – Fan Motor and Control Circuit Data - RTAF 090 - 205 / High Efficiency

Fan (Each)		Control			Evaporator	
Unit Size	Qty	kW (1) / kW (2)	FLA (3)	kW	A	Heater kW
Standard noise level / Low noise level						
090	10	1.94 / -	3.9	1.776	4.41	0.8
105	10	1.94 / -	3.9	1.776	4.41	0.8
125	10	1.94 / -	3.9	1.776	4.41	0.8
145	12	1.94 / -	3.9	1.776	4.41	0.8
155	12	1.94 / -	3.9	1.776	4.41	0.8
175	12	1.94 / -	3.9	1.776	4.41	1.2
190	14	1.94 / -	3.9	1.776	4.41	1.2
205	14	1.94 / -	3.9	1.776	4.41	1.2

Notes:

1. Max power input per fan for standard and high ambient
2. Low ambient is not available with high efficiency units
3. Maximum FLA per fan for standard and high ambient
4. Compressor maximum amps under 400/3/50Hz
5. Compressor start up amps under 400/3/50Hz



Electrical Data

Table 34 – Fan Motor and Control circuit data - RTAF 090 - 205 / Extra Efficiency

Fan (Each)				Control		Evaporator
Unit Size	Qty	kW (1) / kW (2)	FLA (3)	kW	A	Heater kW
Standard noise level / Low noise level / Extra low noise level						
090	10	2.56 / 2.56	3.9	1.776	4.41	0.8
105	10	2.56 / 2.56	3.9	1.776	4.41	0.8
125	10	2.56 / 2.56	3.9	1.776	4.41	0.8
145	12	2.56 / 2.56	3.9	1.776	4.41	0.8
155	12	2.56 / 2.56	3.9	1.776	4.41	0.8
175	12	2.56 / 2.56	3.9	1.776	4.41	1.2
190	14	2.56 / 2.56	3.9	1.776	4.41	1.2
205	14	2.56 / 2.56	3.9	1.776	4.41	1.2

Table 35 – Fan Motor and Control circuit data - RTAF 090 - 205 / High Seasonal Efficiency

Fan (Each)				Control		Evaporator
Unit Size	Qty	kW (1) / kW (2)	FLA (3)	kW	A	Heater kW
Standard noise level / Low noise level / Extra low noise level						
090	10	2.56 / 2.56	3.9	1.776	4.41	0.8
105	10	2.56 / 2.56	3.9	1.776	4.41	0.8
125	10	2.56 / 2.56	3.9	1.776	4.41	0.8
145	12	2.56 / 2.56	3.9	1.776	4.41	0.8
155	12	2.56 / 2.56	3.9	1.776	4.41	0.8
175	12	2.56 / 2.56	3.9	1.776	4.41	1.2
190	14	2.56 / 2.56	3.9	1.776	4.41	1.2
205	14	2.56 / 2.56	3.9	1.776	4.41	1.2

Notes:

1. Max power input per fan for standard and high ambient
2. Max power input per fan for low ambient
3. Maximum FLA per fan for standard and high ambient and low ambient
4. Compressor maximum amps under 400/3/50
5. Compressor start up amps under 400/3/50

Electrical Data

Table 36 – Fan Motor and Control circuit data - RTAF 250 - 410 / Standard Efficiency

Unit Size	Qty	Fan (Each)			Control kW	Control A	Evaporator Heater (kW)
		kW (1)	kW (2)	FLA (2)			
Standard Noise / Low Noise							
250	14	1.94	2.56	3.90	1.776	4.41	3.2
280	16	1.94	2.56	3.90	1.776	4.41	3.2
310	16	1.94	2.56	3.90	1.776	4.41	3.2
350	18	1.94	2.56	3.90	1.776	4.41	3.2
380	20	1.94	2.56	3.90	1.776	4.41	4.1
410	22	1.94	2.56	3.90	1.776	4.41	4.1
Extra Low Noise							
250	14	2.56	2.56	3.90	1.776	4.41	3.2
280	16	2.56	2.56	3.90	1.776	4.41	3.2
310	16	2.56	2.56	3.90	1.776	4.41	3.2
350	18	2.56	2.56	3.90	1.776	4.41	3.2
380	20	2.56	2.56	3.90	1.776	4.41	4.1
410	22	2.56	2.56	3.90	1.776	4.41	4.1

Table 37 – Fan Motor and Control circuit data - RTAF 250 - 410 / High Efficiency

Unit Size	Qty	Fan (Each)			Control kW	Control A	Evaporator Heater (kW)
		kW(1)	kW(2)	FLA (2)			
Standard Noise / Low Noise							
250	14	1.94	-	3.90	1.776	4.41	3.2
280	16	1.94	-	3.90	1.776	4.41	3.2
310	16	1.94	-	3.90	1.776	4.41	3.2
350	18	1.94	-	3.90	1.776	4.41	3.2
380	20	1.94	-	3.90	1.776	4.41	4.1
410	22	1.94	-	3.90	1.776	4.41	4.1

Table 38 – Fan Motor and Control circuit data - RTAF 250 - 410 / Extra Efficiency

Unit Size	Qty	Fan (Each)			Control kW	Control A	Evaporator Heater (kW)
		kW(1)	kW(2)	FLA (2)			
Standard Noise / Low Noise / Extra low noise							
250	16	2.56	2.56	3.90	1.776	4.41	3.2
280	18	2.56	2.56	3.90	1.776	4.41	3.2
310	20	2.56	2.56	3.90	1.776	4.41	3.2
350	22	2.56	2.56	3.90	1.776	4.41	3.2
380	24	2.56	2.56	3.90	1.776	4.41	4.1
410	24	2.56	2.56	3.90	1.776	4.41	4.1
450	25	2.56	2.56	3.90	1.776	4.41	4.1

Notes:

1. Max power input per fan for standard and high ambient
2. Max power input per fan for low ambient
3. Maximum FLA per fan for standard and high ambient and low ambient



Electrical Data

Table 39 – Fan Motor and Control circuit data - RTAF 250 - 410 / High Seasonal Efficiency

Unit Size	Qty	Fan (Each)			Control		Evaporator
		kW(1)	kW(2)	FLA (2)	kW	A	Heater (kW)
Standard Noise / Low Noise / Extra low noise							
250	16	2.56	2.56	3.90	1.776	4.41	3.2
280	18	2.56	2.56	3.90	1.776	4.41	3.2
310	20	2.56	2.56	3.90	1.776	4.41	3.2
350	22	2.56	2.56	3.90	1.776	4.41	3.2
380	24	2.56	2.56	3.90	1.776	4.41	4.1
410	24	2.56	2.56	3.90	1.776	4.41	4.1

Notes:

1. Max power input per fan for standard and high ambient
2. Max power input per fan for low ambient
3. Maximum FLA per fan for standard and high ambient and low ambient

Table 40 – Fan Motor and Control circuit data - RTAF 250 - 410 / High Seasonal Efficiency Short

Unit Size	Qty	Fan (Each)			Control		Evaporator
		kW(1)	kW(2)	FLA (2)	kW	A	Heater (kW)
Standard Noise / Low Noise / Extra low noise							
250	14	2.56	2.56	3.90	1.776	4.41	3.2
280	16	2.56	2.56	3.90	1.776	4.41	3.2
310	16	2.56	2.56	3.90	1.776	4.41	3.2
350	18	2.56	2.56	3.90	1.776	4.41	3.2
380	20	2.56	2.56	3.90	1.776	4.41	4.1
410	22	2.56	2.56	3.90	1.776	4.41	4.1

Electrical Data

Table 41 – Compressor data / RTAF 090-205 Standard Efficiency

Compressor Data						Control Circuit Data	
RTAF	Quantity	Maximum Amps (4)		Starting Amps (5)		Disconnect switch Option	
Size		Cmpr 1	Cmpr 2	Cmpr 1	Cmpr 2	Power Cable Cross section	
						Min (mm ²)	Max (mm ²)
Standard Efficiency / High efficiency							
90	2	97	97	144	144	185	240
105	2	116	116	180	180	185	240
125	2	158	116	259	180	240	240
145	2	158	158	259	259	2x150	2x300
155	2	197	158	291	259	2x150	2x300
175	2	234	158	354	259	2x185	2x300
190	2	234	197	354	291	2x185	2x300
205	2	234	234	354	354	2x185	2x300

Table 42 – Compressor data / RTAF 090-205 Extra Efficiency and High Seasonal Efficiency

Compressor Data						Control Circuit Data	
RTAF	Quantity	Maximum Amps (4)		Starting Amps (5)		Disconnect switch Option	
Size		Cmpr 1	Cmpr 2	Cmpr 1	Cmpr 2	Power Cable Cross section	
						Min (mm ²)	Max (mm ²)
Extra Efficiency							
90	2	97	97	144	144	185	240
105	2	116	116	180	180	185	240
125	2	158	116	259	180	240	240
145	2	158	158	259	259	2x150	2x300
155	2	197	158	291	259	2x150	2x300
175	2	234	158	354	259	2x185	2x300
190	2	234	197	354	291	2x185	2x300
205	2	234	234	354	354	2x185	2x300
High Seasonal Efficiency							
90	2	90	90	90	90	185	240
105	2	105	105	105	105	185	240
125	2	147	105	147	105	240	240
145	2	147	147	147	147	2x150	2x300
155	2	182	147	182	147	2x150	2x300
175	2	206	147	206	147	2x185	2x300
190	2	206	182	206	182	2x185	2x300
205	2	206	206	206	206	2x185	2x300

Notes:

1. Max power input per fan for standard and high ambient
2. Max power input per fan for low ambient
3. Maximum FLA per fan for standard and high ambient and low ambient
4. Compressor maximum amps under 400/3/50
5. Compressor start up amps under 400/3/50

Electrical Data

Table 43 – Compressor data / RTAF 250-410

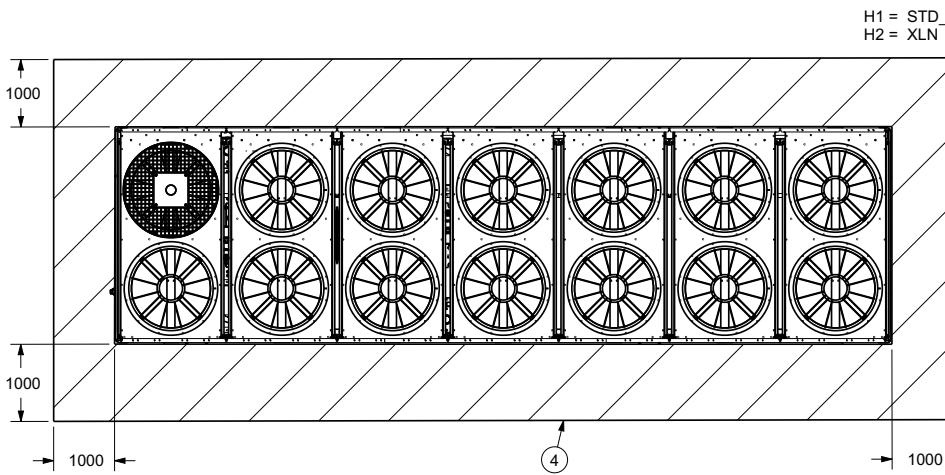
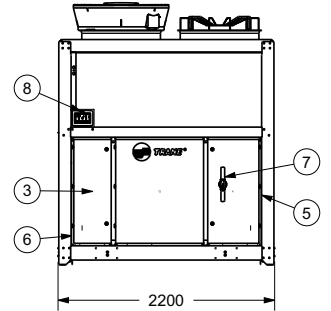
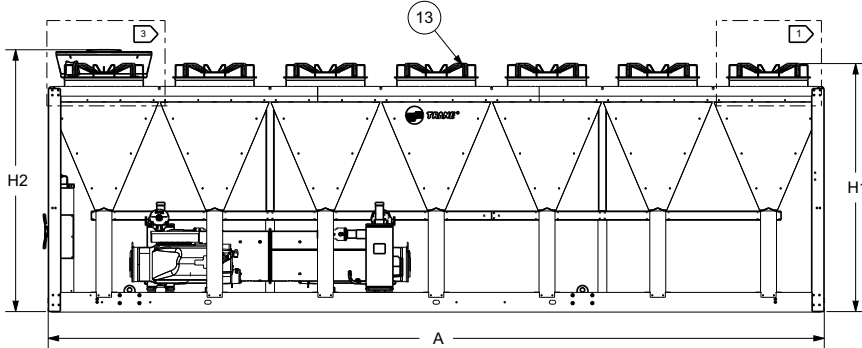
Compressor Data											
RTAF	Quantity	Maximum Amps (4)				Starting Amps (5)				Disconnect switch Option	
		Cmpr 1	Cmpr 2	Cmpr 3	Cmpr 4	Cmpr 1	Cmpr 2	Cmpr 3	Cmpr 4	Power Cable Cross section	
Size										Min (mm ²)	Max (mm ²)
Standard Efficiency / High efficiency/Extra efficiency											
250	3	197	197	158	0	354	354	291	0	4*300	
280	3	197	234	197	0	354	354	354	0	4*300	
310	3	234	234	234	0	354	354	354	0	4*300	
350	4	197	197	197	197	354	354	354	354	4*300	
380	4	197	234	197	234	354	354	354	354	4*300	
410	4	234	234	234	234	354	354	354	354	4*300	
High Seasonal Efficiency											
250	3	188	197	153	0	188	354	153	0	4*300	
280	3	188	234	188	0	188	354	188	0	4*300	
310	3	224	234	224	0	224	354	224	0	4*300	
350	4	188	197	188	197	188	354	188	354	4*300	
380	4	188	234	188	234	188	354	188	354	4*300	
410	4	224	234	224	234	224	354	224	354	4*300	
450	4	268	234	268	234	268	354	268	354	4*301	
HSS											
250	3	188	197	153	0	188	354	153	0	4*300	
280	3	188	234	188	0	188	354	188	0	4*300	
310	3	224	234	224	0	224	354	224	0	4*300	
350	4	188	197	188	197	188	354	188	354	4*300	
380	4	188	234	188	234	188	354	188	354	4*300	
410	4	224	234	224	234	224	354	224	354	4*300	

Notes:

4. Compressor Maximum Amps under 400V/3/50
5. compressor start up amps under 400V/3/50

Dimensional Data

Dimensions RTAF models SE / HE / XE

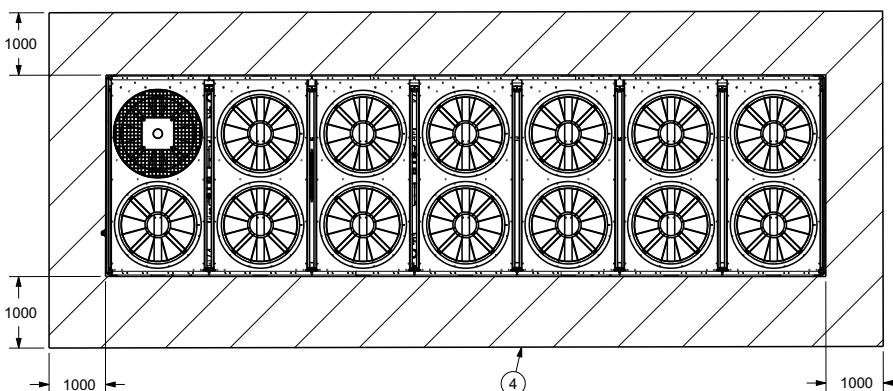
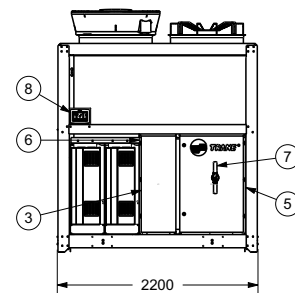
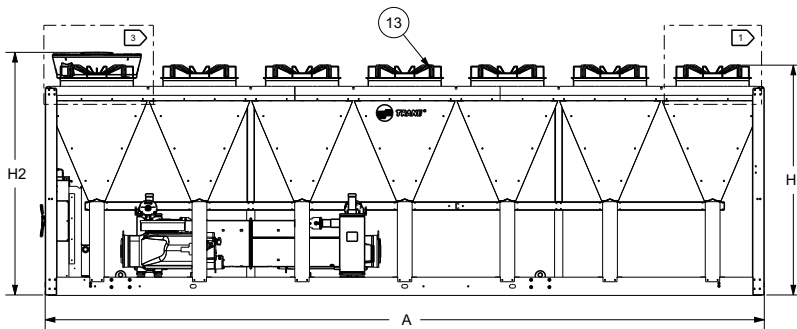


H1 = STD_LN
H2 = XLN

		A	H1	H2
090-105-125	SE	4520	2526	2672
	HE_XE	5645		
145-155-175	SE	5645		
	HE_XE	6770		
190-205	SE	6770		
	HE_XE	7895		

		(13)
090_105_125	SE	8
	HE_XE	10
145_155_175	SE	10
	HE_XE	12
190_205	SE	12
	HE_XE	14

Dimensions RTAF model HSE



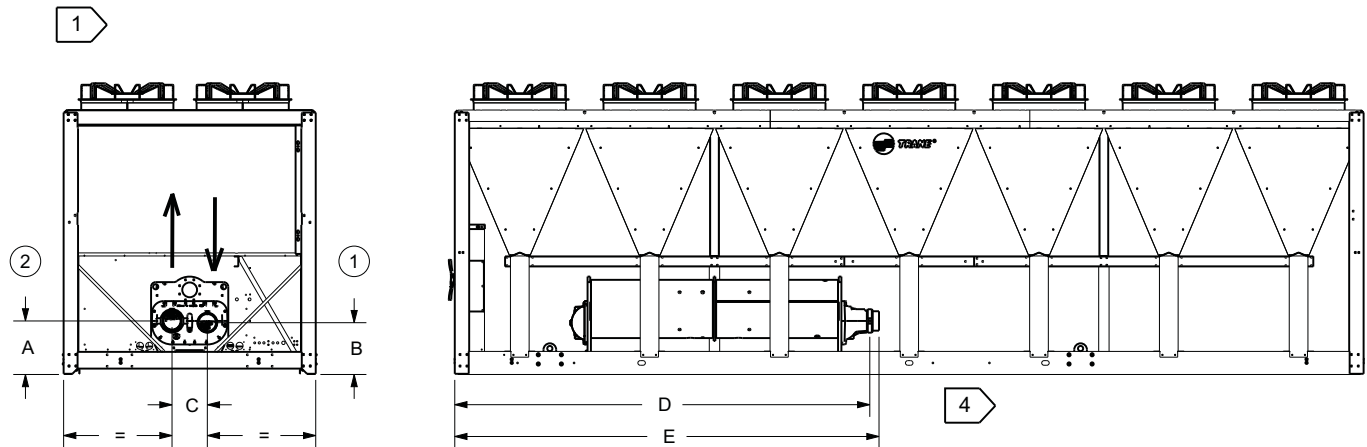
H1 = STD_LN
H2 = XLN

	A	H1	H2
090-105-125	5645	2526	2672
145-155-175	6770		
190-205	7895		

		(13)
090-105-125		10
145-155-175		12
190-205		14

Dimensional Data

RTAF 090-205 units without hydraulic module



	Ø VICTAULIC®	A	B	C	D	4 E
090-105	4" _114.3 mm	459	449	260	3565	3625
125-145-155	5" _139.7 mm	501	491	275	3570	3630
175-190	6" _168.3 mm	464	449	306	3595	3675
205	6" _168.3 mm	464	449	306	3595	3675

Numbers in circles

- 1 = Evaporator water inlet connection
- 2 = Evaporator water outlet connection
- 3 = Electrical panel
- 4 = Minimum clearance (air entering and maintenance)
- 5 = Power cable gland plate for customer wiring
- 6 = External control wiring cable gland plate
- 7 = Power disconnect switch
- 8 = Display module
- 9 = Main processor module
- 10 = Hydraulic module
- 11 = Isolators
- 12 = Operating weight (kg)
- 13 = Number of fans

Numbers in arrows

- 1 = SN_LN unit
- 2 = Unit with hydraulic module
- 3 = Option XLN
- 4 = Grooved pipe (option)

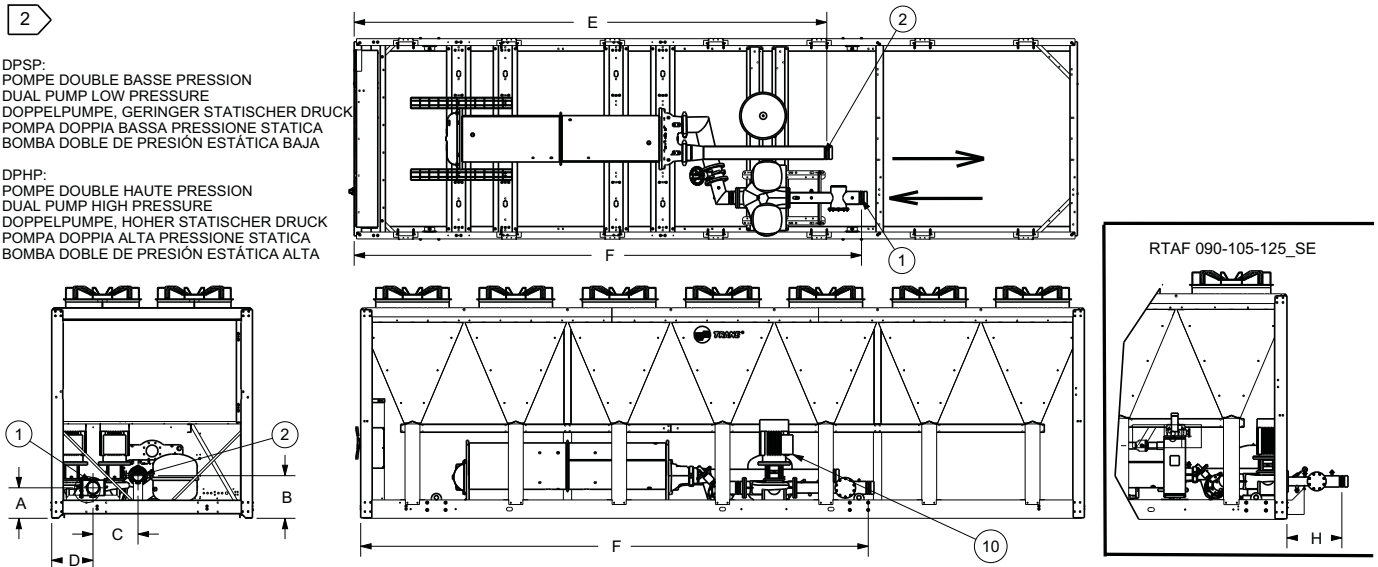
Dimensional Data

RTAF 090-205 units with hydraulic module

2

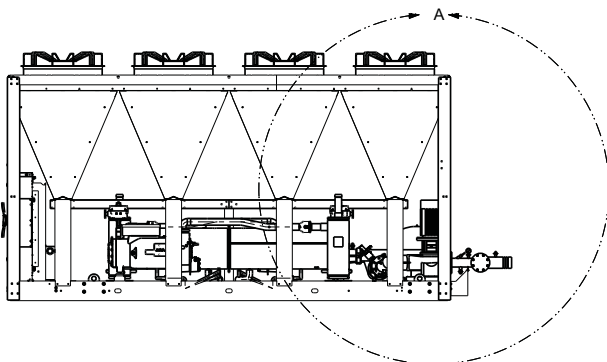
DPSP:
POMPE DOUBLE BASSE PRESSION
DUAL PUMP LOW PRESSURE
DOPPELPUMPE, GERINGER STATISCHER DRUCK
POMPA DOPPIA BASSA PRESSIONE STATICA
BOMBA DOBLE DE PRESIÓN ESTÁTICA BAJA

DPHP:
POMPE DOUBLE HAUTE PRESSION
DUAL PUMP HIGH PRESSURE
DOPPELPUMPE, HOHER STATISCHER DRUCK
POMPA DOPPIA ALTA PRESSIONE STATICA
BOMBA DOBLE DE PRESIÓN ESTÁTICA ALTA



	① ϕ VICTAULIC®	② ϕ VICTAULIC®	A DPSP	A DHP	B	C	D	E	F DPSP	F DHP	H DPSP	H DHP
090-105	4" _114.3 mm	4" _114.3 mm	386	361	461	478	482	4397	5058	4998	561	501
125	4" _114.3 mm	5" _139.7 mm	386	361	501	470	482	4438	5061	4998	561	501
145	5" _139.7 mm	5" _139.7 mm	386	386	501	470	482	4438	5337	5387		
155	5" _139.7 mm	5" _139.7 mm	386	386	501	470	482	4438	5387	5387		
175-190-205	5" _139.7 mm	5" _139.7 mm	332	332	464	490	447	5145	5525	5525		

RTAF Standard efficiency units 090, 105 and 125: Water strainer is shipped separately



Mechanical Specifications

General

Chilled water production will be made by a factory-assembled and tested, air-cooled liquid chiller, Trane type RTAF SE/ HE/XE HSE. Chiller will have two refrigerant circuits with one compressor per circuit, will be shipped with a full operating charge of R134a refrigerant and lubrication oil, screw compressors and electronic expansion valve.

Documentation including installation-operation-maintenance manual, user guide, wiring diagram and submittal is placed in the control panel.

Performances summary

- Cooling capacity at full load:.... (kW)
- Unit power input at full load:.....(kW)
- Operating conditions: Evaporator entering/leaving temperature:/.....(°C).
Air temperature:.....(°C).
- Energy efficiency at full load EER:..... (kW/kW)
- European Seasonal Energy Efficiency Ratio ESEER:..... (kW/kW)
- Sound power level:..... dB(A)

Quality assurance

Chiller is designed and manufactured under a quality assurance system and environmental management system certified in accordance with ISO 9001:2008 and ISO14001 standards.

Chiller is factory-tested according standard EN14511, and performances are certified by Eurovent. All chillers follow a production quality plan to ensure proper construction and operation.

Unit construction will be in accordance with follow European directives:

- Pressure Equipment Directive (PED) 97/23/CE
- Machinery Directive (MD) 2006/42/CE
- Low Voltage Directive (LV) 2006/95/CE
- ElectroMagnetic Compatibility Directive (EMC) 2004/108/CE
- Electrical Machinery Safety Standard EN 60204-1

Construction Characteristics

Unit panels, frames and exposed steel surfaces will be constructed of galvanized steel, painted and have a corrosion resistance of 675 hours to salt spray test.

Electrical panel will be built of galvanized steel and rated IP54.

Compressors and Motors

The helical-rotary compressor is semi-hermetic, direct drive, 3000 rpm, differential refrigerant pressure oil circulation system without oil pump, and with oil heater.

On Trane RTAF HSE Capacity control is done through the VFD to optimize performances at partial load allowing reduction of capacity down to 20% of the maximum value.

On Trane RTAF SE, HE and XE capacity control will be made through a slide valve allowing reduction of capacity down to 15% of the maximum value. Compressor will start always unloaded.

Motor is suction gas cooled, hermetically sealed, two poles, squirrel cage induction type, with four pressure lubricated rolling elements, bearing groups shall support the rotating assembly. Motor bearings will be designed for the whole life of the chiller.

Oil Management

The chiller is equipped with an oil management system without oil pump that ensures proper oil circulation throughout the unit. The key components of the system include an oil separator, oil filter with particles retention capacity of at least 5µm.

An oil heater is installed to avoid startup with low oil temperature.

An optional oil cooler is installed when the unit is used for high condensing temperature or low evaporator temperature conditions.

Unit-Mounted Wye-Delta Starter (RTAF SE, HE and XE)

The compressor starters shall be Star-Delta configuration closed transition, factory-mounted and fully pre-wired to the compressor motor and control panel. Starter will reduce by 33% the inrush current.

Adaptive Frequency Drive (AFD) mounted on RTAF HSE

Compressors of RTAF HSE shall be equipped with an adaptive frequency drive, factory mounted, tested and wired. Frequency converter will drive the chiller start and ramp up, and the partial load operation.

AFD enclosure is IP55 as standard, with integrated air cooling system, consisting of a fan below the VFD frame.

Evaporator

The evaporator is a tube-in-shell heat exchanger design constructed from carbon steel shells and tubesheets with internally and externally finned seamless copper tubes mechanically expanded into the tube sheets. Tubes are cleanable with dismantable water boxes. Tubes diameter is 19mm. Each tube is individually replaceable.

The evaporator is designed, tested and stamped in accordance with PED 97/23/CE Pressure Vessel Code for a refrigerant side working pressure of 14 bars (200 psig). The evaporator is designed for a water side working pressure of 10.5 bars (150 psig). Standard water connections are grooved for Victaulic type pipe couplings. Waterboxes are available in 2 passes configurations and include a vent, a drain and fittings for temperature control sensors. Evaporator is insulated with Armaflex II or equivalent of 19 mm (3/4 inches) thickness and K factor of 0,26 W/m²K.

Mechanical Specifications

Condenser and Fans

The air-cooled Microchannel condenser coils use all aluminum brazed fin construction. The coil is composed of three components: the flat microchannel tube, the fins located between the microchannel tubes, and two refrigerant manifolds. Coils can be cleaned with high pressure water.

The condenser coil has an integral subcooling circuit. The maximum allowable working pressure of the condenser is 25.0 bars. Condensers are factory proof and leak tested at 45 bars.

Direct-drive vertical-discharge airfoil condenser fans are dynamically balanced.

Standard units will start and operate from -10°C to 46°C (14°F to 115°F) ambient.

SE and HE units standard ambient or high ambient, standard sound level or low sound level are equipped with three-phase condenser fan motors with permanently lubricated ball bearings and external overload protection are provided. Fans are class F, IP55.

Standard units and HE units low ambient, XE and HSE units are equipped with EC condenser fan motors with permanently lubricated ball bearings and external overload protection are provided. Fans are class F, IP55.

Refrigerant Circuit

Each unit has two refrigerant circuits, with one rotary screw compressor per circuit. Each refrigerant circuit includes compressor discharge service valves, motorized suction valve, liquid line shut off valve, removable core filter, charging port, high pressure and low pressure safety valves and electronic expansion valve.

Electrical Panel

Single point connection with disconnect switch and fuses.

The disconnect switch is mechanically interlocked to disconnect line power from the starter before the starter doors are open.

All components and control cables are numbered in accordance with CEI 60750.

A factory-installed, factory-wired control power transformer provides all unit control power and UC800 module power. All the starter elements are enclosed in an IP54 panel, with hinged door.

Unit Controls (Tracer UC800)

The microprocessor-based control panel is factory-installed and factory-tested. The control system is powered by a control power transformer. It loads and unloads the chiller through adjustment of the compressor slide valve on models RTAF SE/HE and through a Adaptive Frequency Drive on the model RTAF HSE.

Microprocessor-based chilled water reset based on return water is standard. The UC800 utilizing the "Adaptive Control™" microprocessor automatically takes action to prevent unit shutdown due to abnormal operating conditions associated with low evaporator refrigerant temperature, high condensing temperature, and motor current overload. If abnormal operating condition continues and protective limit is reached, the refrigerant circuit will be shut down. Controller includes machine protection shutdown requiring manual reset for:

- Low evaporator refrigerant temperature and pressure
- High condenser refrigerant pressure
- Low oil flow
- Critical sensor or detection circuit fault
- Motor current overload
- High compressor discharge temperature
- Communications lost between modules
- Electrical distribution faults: phase loss, phase imbalance, phase reversal
- External and local emergency stop
- Starter transition failure.

The panel includes machine protection shutdown with automatic reset when the condition is corrected for:

- Momentary power loss
- Over / under voltage
- Loss of evaporator water flow.

Over 100 diagnostic checks is made and are displayed when a fault is detected. The display indicates the fault, the type of reset required, the time and date the diagnostic occurred, the mode in which the machine was operating at the time of the diagnostic, and a help message. A diagnostic history displays the last 20 diagnostics with the time and date of their occurrence. Alarms and diagnostics are displayed in chronological order, with a color/symbol code: red octagon for immediate shutdown, yellow triangle for normal shutdown and blue circle for warning.



Mechanical Specifications

Human interface with Touchable Display Trane TD7

- Factory-mounted above the control panel door
- UV Resistant touchscreen
- -40°C to 70°C operating temperature
- IP56 rated
- CE certification
- Emissions: EN55011(Class B)
- Immunity: EN61000 (Industrial)
- 7" diagonal
- 800x480 pixels
- TFT LCD @ 600 nits brightness
- 16 bit color graphic display

Display features:

- Alarms
- Reports
- Chiller settings
- Display settings
- Graphing
- Support for 15 languages

Dry contacts

UC800 provides a flexible alarm or chiller status indication to a remote location through a hard wired interface to a dry contact closure. Four relays are available for this function.

Options

Application options

Ice making

The ice making option provides special control logic to handle low temperature brine applications (less than 4.4°C (40°F) leaving evaporator temperature) for thermal storage applications.

Low temperature brine

Low temperature option provides special control logic and oil cooler is installed to handle low temperature brine applications including part load conditions below 4.4°C (40°F) leaving evaporator temperature.

Low ambient

The low ambient option adds unit controls to allow start and operation down to ambient temperatures of -20°C (-7.2°F). High side of ambient range remains at 46°C (115°F)

High ambient

The high ambient option adds unit controls, oil coolers and oversized electrical components to allow start and operation up to ambient temperatures of 55°C (131°F) operation. Low side of ambient range remains at -10°C (14°F).

Integrated Variable Primary Flow

Integrated within the chiller controller, a variable primary flow option will allow control of the water flow through the evaporator. This will be based on a proven algorithm modulating the flow rate to minimize pump consumption at full and partial load.

Two options of operating modes will be available:

Constant Differential Pressure (DP), acting continuously on the pump speed to ensure a constant outlet pressure. This solution is recommendable on installations with 2-way valves on the water coils. This method ensures that each branch of the water loop has an uniform supply, without unnecessary energy consumption. This system will ensure that each water terminal has the appropriate differential pressure supply. In order to manage chiller minimum evaporator water flow, a hydronic package will include water pressure transducers to intelligently monitor water flow rate in real time within AdaptiView™ chiller control. Chiller will deliver control signal for system by-pass valve actuator. System differential pressure is measured by supplied differential pressure transducer.

Constant Differential Temperature (DT), in this case the chiller controller algorithm will maintain a constant difference in between entering and leaving temperature at the chiller plant (DT), regardless the load, reducing the water flow rate when necessary up to the minimum allowed. This solution can be applied on water loops with 3-way valves systems, and can deliver higher energy saving than precedent logic (constant DP) in the majority of the comfort applications.

Partial Heat Recovery

Chiller can be supplied with a factory-mounted brazed plate heat exchanger, fitted in series with condenser refrigerant circuit (2), in order to fulfill heat recovery from the compressor discharge (de-superheat) and partially from the condensing saturated temperature. On the water side of the heat recovery heat exchanger, hydraulic connection Victaulic type will be supplied. Heat to be recovered will be around 20% of the Gross Heat Rejection value. Both BPHX will be connected in series on water side, with temperature sensors in the water inlet and outlet, for monitoring purposes. The PHR HX will not have impact on the cooling performances, and will allow production of hot water up to 55°C.

Free-cooling Control

Chiller controller could supply a control option for an externally supplied dry cooler to implement free-cooling strategy, allowing as per pre-fixed ambient temperature set point, switch from chiller operation to dry cooler operation. Control algorithm will be based on PID logic, return temperature and cooling capacity demand.

Free-cooling Chiller

Chiller can be supplied with option for water based free-cooling, built with all aluminum flat channel dry cooler exchanger, installed in parallel with refrigerant microchannel condenser coil, and a water valve to control the free-cooling capacity. Follow options shall be available:

- Partial Free-cooling with glycol on customer water loop
- Total Free-cooling with glycol on customer water loop

Mechanical Specifications

E-coating

An option to supply MCHC condenser coils with e-coating will be available. This e-coating will withstand the exposure to typical corrosive atmospheres, in shore or industrial locations, without sensible impact on coil performances in what heat transfer and air pressure drop is a concern.

Sound level options

Low noise

Low noise units are equipped with a jacket on the oil separators and a pre-formed 'sound box' encapsulating each compressor.

Low noise with NNSB

Night noise set back allow to reduce the sound level of the chiller by reducing the speed of EC fans controlled with an external on/off contact.

Extra low noise

Extra low noise units are equipped with a jacket on the oil separators, a pre-formed 'sound box' encapsulating each compressor and EC fans with diffusers.

Hydraulic module option*

Hydraulic module includes the following components: water strainer, 80 l expansion vessel, pressure relief valve set at 5 bars, twin pump low head allowing a pressure drop in the water circuit up to 120 kPa or twin pump high head allowing a pressure drop in the water circuit up to 220 kPa, balancing valve and anti freeze protection.

Electrical options

- Under/over voltage protection
- IP20 internal protection
- Flow switch: the flow switch is sent as an accessory and must be installed on site.

Control options

BACnet™ communications interface

Allows the user to easily interface with BACnet via a single twisted pair wiring to a factory installed and tested communication board.

LonTalk™ (LCI-C) Communications Interface

Provides the LonMar chiller profile inputs/outputs for use with a generic building automation system via a single twisted pair wiring to a factory installed and tested communication board.

ModBus™ Communications Interface

Allows the user to easily interface with ModBus via a single twisted pair wiring to a factory installed and tested communication board.

External chilled water setpoint

UC800 accepts either a 2-10 VDC or a 4-20mA input signal, to adjust the chilled water setpoint from a remote location.

External current limit setpoint

UC800 accepts either a 2-10VDC or a 4-20mA input signal to adjust the current limit setpoint from a remote location.

Ice making contact

UC800 provides an output contact closure that can be used as a signal to the system that ice building is in operation. This relay will be closed when ice building is in progress and open when ice building has been terminated by either UC800 or the remote interlock. It is used to signal the system changes required to convert to and from ice making.

Run test report

Run test report gives the results of the performance test of the unit in the design conditions specified in the order write-up with water without glycol.

The data recorded are: cooling capacity, power input, air temperature, water entering temperature, water leaving temperature and water flow.

Other Options

Relief valves

Dual relief valve plus 3-way valve on high and low pressure side.

High performance insulation.

Evaporator is insulated with 2 layers of Armaflex II or equivalent of 19 mm (3/4 inches) thickness and K factor of 0,26 W/m²K.

Evaporator without insulation

Evaporator is not insulated and a specific insulation can be done on site.

Coated condensing coils

Condensing coils are protected with a cathodic epoxy electrodeposition coating UV resistant

Neoprene pads

Neoprene pads avoids a direct contact of the base of the unit with the ground

Neoprene isolators

Isolators provide isolation between chiller and structure to help eliminate vibration transmission and have an efficiency of 95% minimum

Grooved pipe plus weld coupling

Grooved pipes are connected on water inlet and outlet. The coupling allows connection between the grooved pipe and the evaporator water connection.

Export shipping package

Metallic clogs are fixed on the base frame of the unit. They prevent direct contact between the chiller and the container during loading and unloading from the container.

* Components may differ depending on unit model and size. Contact your local sales office for details.



Notes



Notes



Trane optimizes the performance of homes and buildings around the world. A business of Ingersoll Rand, the leader in creating and sustaining safe, comfortable and energy efficient environments, Trane offers a broad portfolio of advanced controls and HVAC systems, comprehensive building services and parts. For more information visit www.Trane.com

Trane has a policy of continuous product and product data improvement and reserves the right to change design and specifications without notice.

© 2015 Trane All rights reserved
RLC-PRC046C-GB July 2015
Supersedes RLC-PRC046B-E4_0914

We are committed to using environmentally
conscious print practices that reduce waste.

